

8

7

4

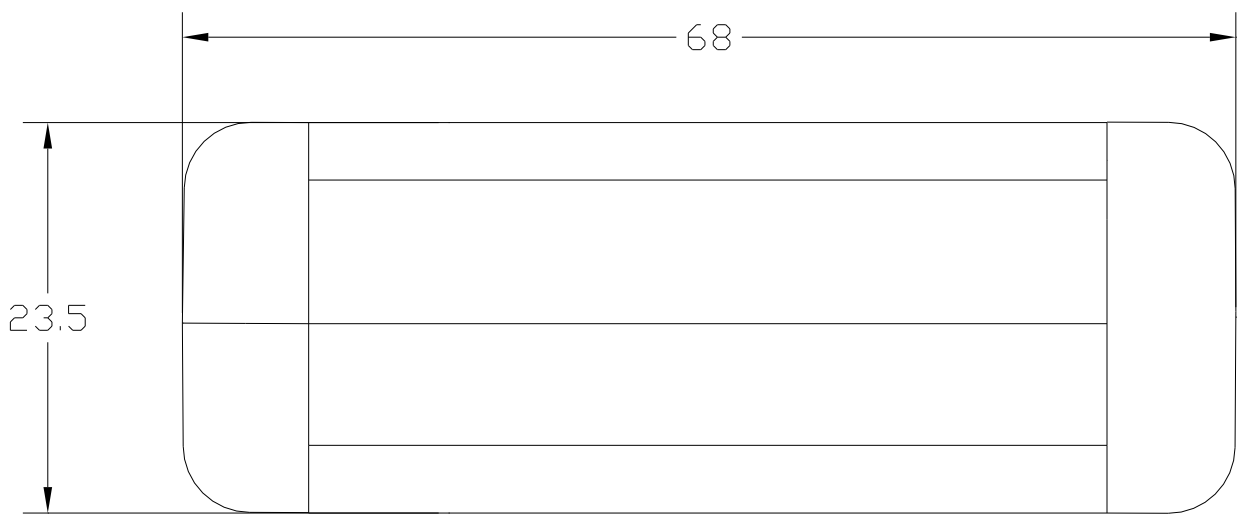
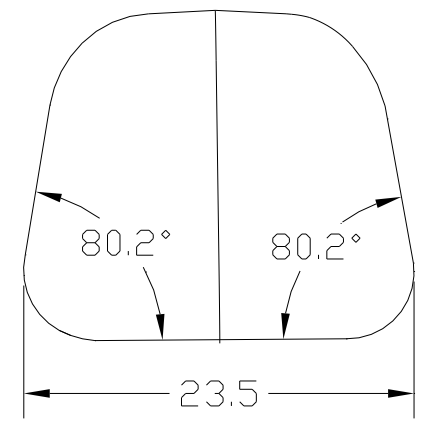
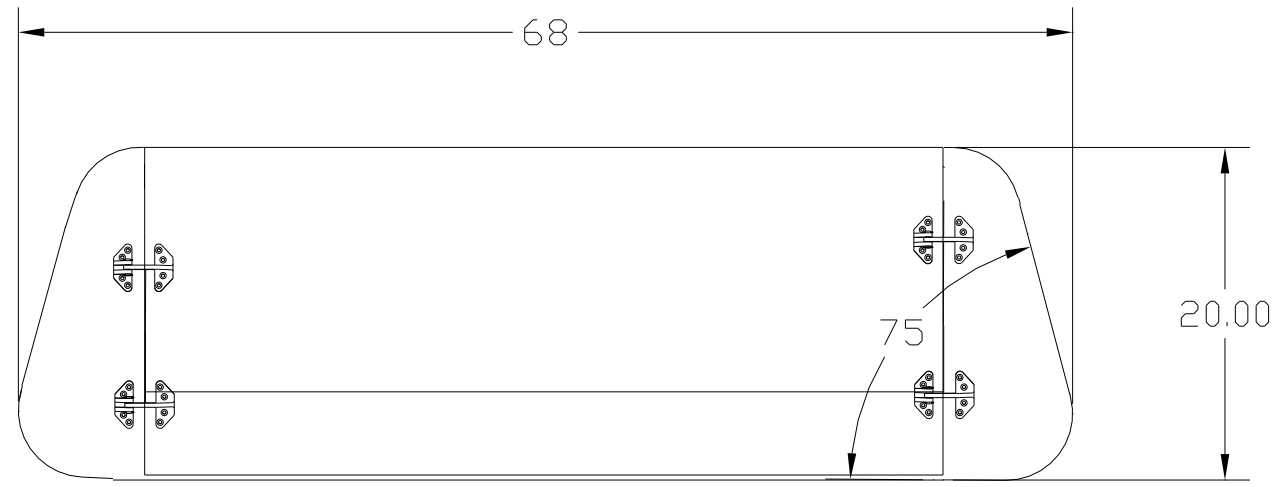
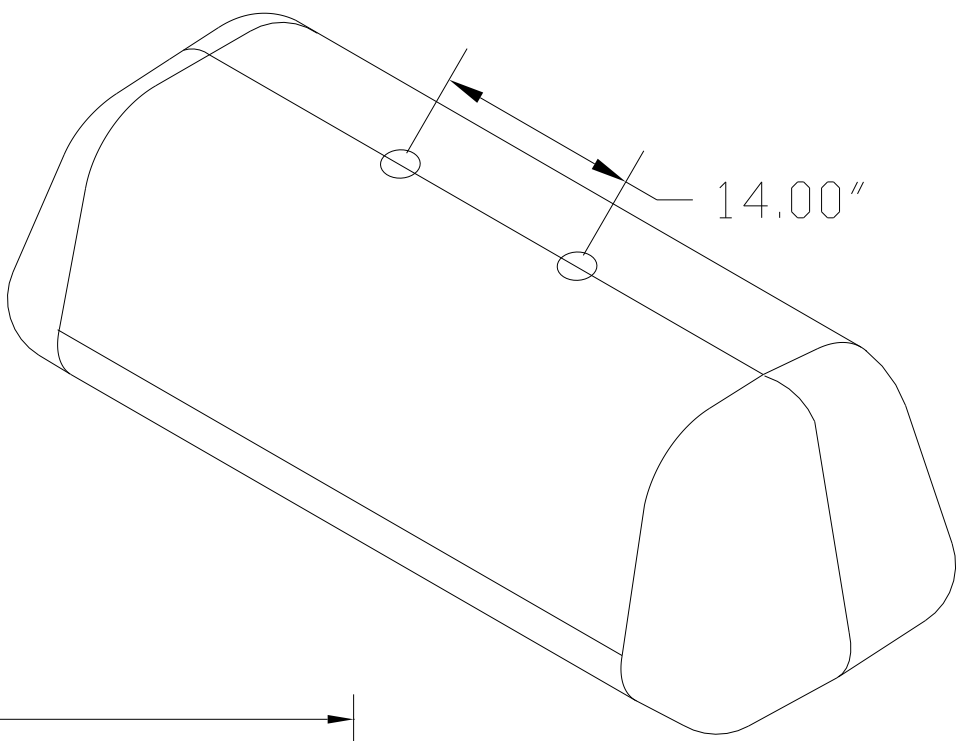
3

2

1

REVISIONS

ZONE	LTR	DESCRIPTION	DATE	APPROVED
	A	Revised Length to 68"	5 Oct 16	CB



This document and the information disclosed herein are proprietary information of Airglas, Inc. Neither this document nor the information contained herein shall be transmitted, reproduced, copied, or disclosed in any form or by any means without the written authorization of Airglas, Inc.

The information disclosed herein includes trade secrets and confidential business and/or financial information and falls within exemption (b) (4) of 5 USC 552 (FOIA) and the prohibitions of 18 USC 1905.

THIS DOCUMENT OR DRAWING INCLUDES INFORMATION PROPRIETARY TO AIRGLAS, INC. AND IS SUBMITTED FOR EVALUATION ONLY AND SHALL NOT BE USED TO MANUFACTURE OR REPRODUCE WITHOUT PERMISSION OF AIRGLAS, INC.

		TOLERANCES ON:		Airglas, Inc.	
		.X ± .5 .XX ± .5 .XXX ± .010		[Redacted]	
		[Redacted]		APA [Redacted] ON	
		[Redacted]		17564 AF [Redacted] S	
		[Redacted]		No Scale 1 OF 1	

8

7

6

5

4

3

2

1