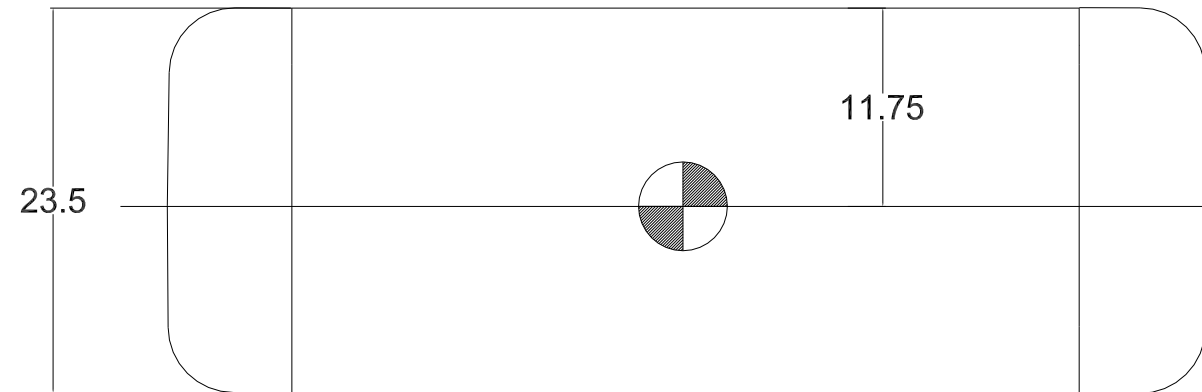
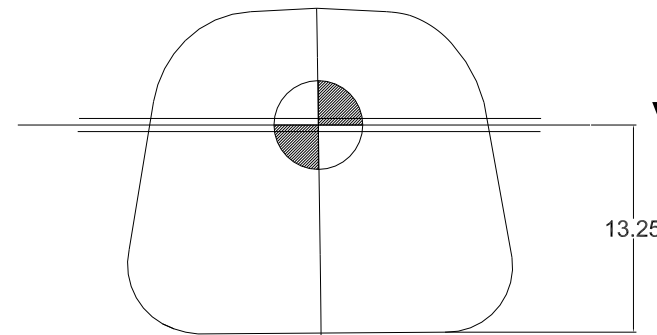
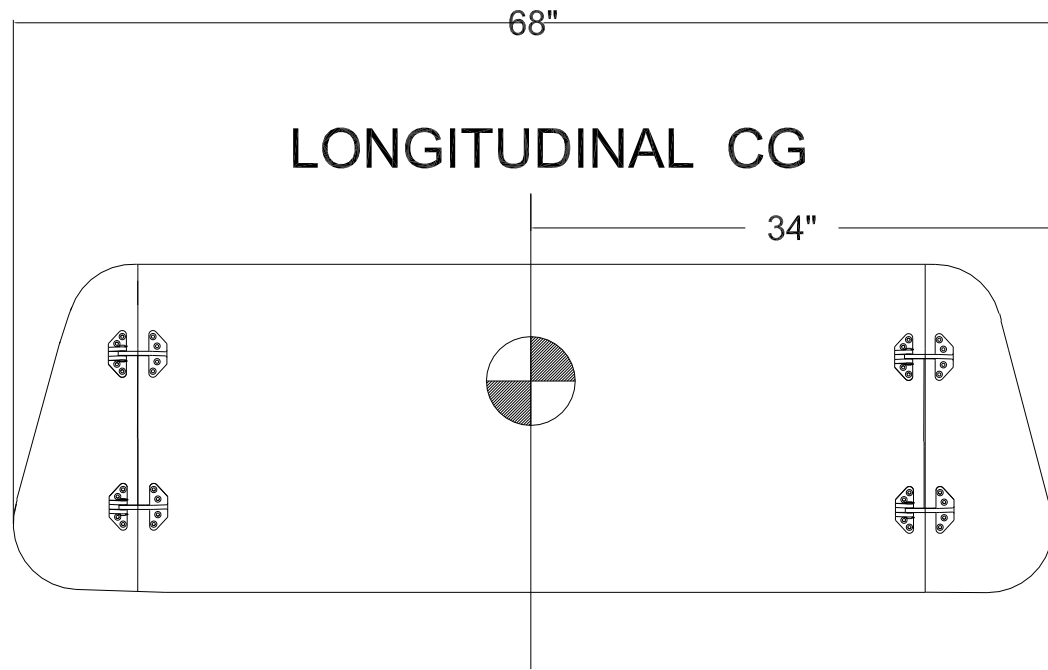
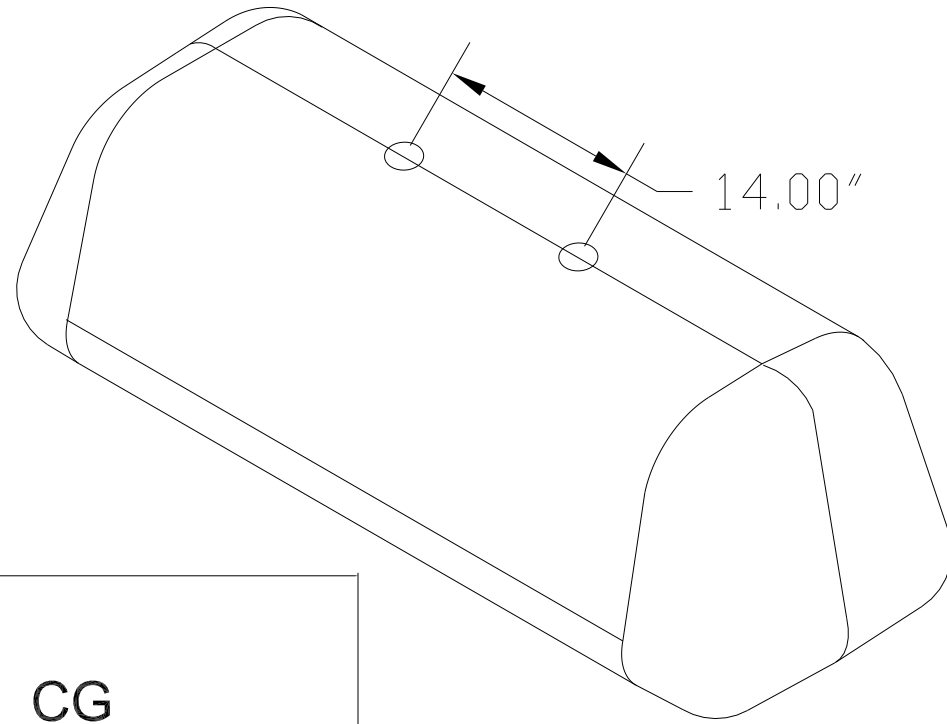


REVISIONS				
ZONE	LTR	DESCRIPTION	DATE	APPROVED
	A	ADDED SYMBOLS	29 Nov 16	CB



This document and the information disclosed herein are proprietary information of Airglas, Inc. Neither this document nor the information contained herein shall be transmitted, reproduced, copied, or disclosed in any form or by any means without the written authorization of Airglas, Inc.

The information disclosed herein includes trade secrets and confidential business and/or financial information and falls within exemption (b) (4) of 5 USC 552 (FOIA) and the prohibitions of 18 USC 1905.

THIS DOCUMENT OR DRAWING INCLUDES INFORMATION PROPRIETARY TO AIRGLAS, INC. AND IS SUBMITTED FOR EVALUATION ONLY AND SHALL NOT BE USED TO MANUFACTURE OR REPRODUCE WITHOUT PERMISSION OF AIRGLAS, INC.

		CONTRACT NO.		Airglas, Inc.	
		SPEC. CONTROL NO.		<b>APACHE POD CG APPROXIMATION</b>	
		Checked by : CB			
		Approved by : CB			
		MATERIAL		HEAT TREAT	
		STEEL		MIL - H - 6875	
		ALUM.		MIL - H - 6088	
		MAG. CAST		MIL - H - 6857	
NEXT ASSY.	USED ON	Date : 14 Apr 16		Size	Code Ident.No.
APPLICATION				B	17564
				APACHE POD DIMS	
				Scale : No Scale	Sheet 1 OF 1

8

7

4

3

2

1

D

D

C

C

B

B

A

A

8

7

6

5

4

3

2

1