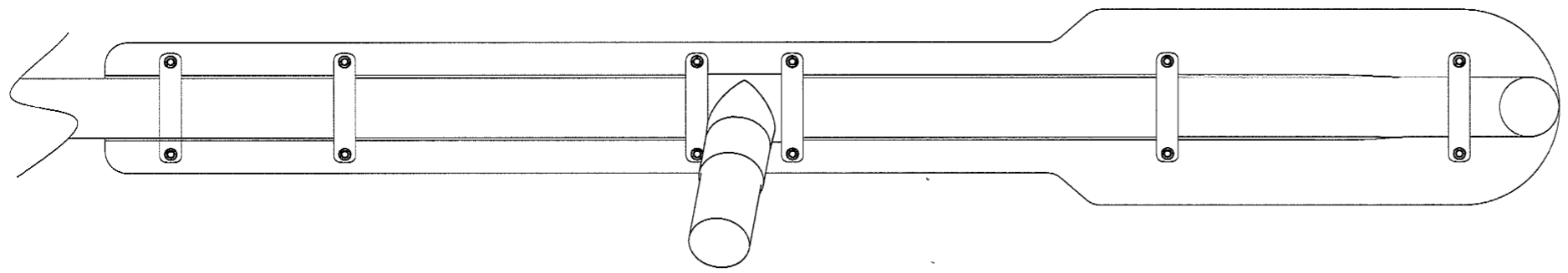
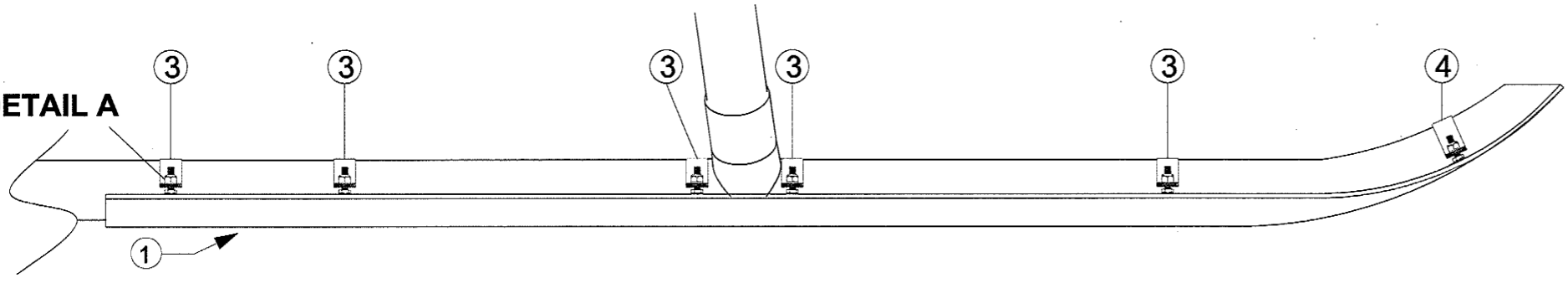


8 7 6 5 4 3 2 1

REVISIONS			
LTR	DESCRIPTION	DATE	APPROVED
A	REVISED NOTE 3. REVISED LIST OF MATERIALS	9/12/2014	CDB

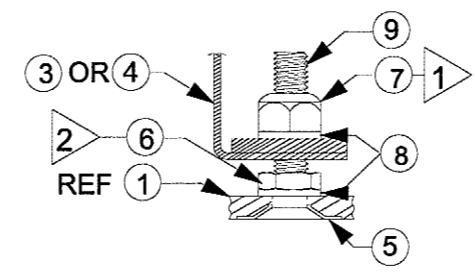
SEE DETAIL A



NOTES:

- 1. TORQUE TO 30-40 INCH POUNDS.
- 2. TORQUE TO 60-65 INCH POUNDS.
- 3. SKID SKI INSTALLATION IS THE SAME FOR BOTH LEFT AND RIGHT SKIS.
- 4. SKID SKI REQUIRES TUNDRA PAD FOR INSTALLATION.

## LTB2600-R44-SS 3 4 SKID SKI INSTALLATION



**DETAIL A  
TYP. INSTALLATION**

THIS DRAWING INCLUDES INFORMATION PROPRIETARY TO AIRGLAS, INC. AND IS SUBMITTED FOR EVALUATION ONLY AND SHALL NOT BE USED TO MANUFACTURE OR REPRODUCE WITHOUT PERMISSION OF AIRGLAS, INC.

This document and the information disclosed herein are proprietary information of Airglas, Inc. Neither this document nor the information contained herein shall be transmitted, reproduced, copied, or disclosed in any form or by any means without the written authorization of Airglas, Inc.

The information disclosed herein includes trade secrets and confidential business and/or financial information and falls within exemption (b) (4) of 5 USC 552 (FOIA) and the prohibitions of 18 USC 1905.

NO.	QTY	CODE/IDENT-NO	PART NO.	DESCRIPTION	P/N LOCATION, DWG	ZONE
9	24		NAS514P524-24P	SCREW	LTB2600-R44, SHT. 2	5A
8	24		NAS1149F0563P	WASHER	LTB2600-R44, SHT. 2	5A
7	24		MS21044N5	NUT	LTB2600-R44, SHT. 2	5A
6	24		AN316-5R	NUT	LTB2600-R44, SHT. 2	4A
5	24	17564	30185	CSK WASHER	LTB2600-R44, SHT. 2	5A
4	2	17564	L2600-R44-2A	STRAP ASSY, FWD	LTB2600-R44-S	4E
3	10	17564	L2600-R44-1A	STRAP ASSY, CENTER	LTB2600-R44-S	7E
2	-	-	RESERVED	-	-	-
1	2	17564	LTB2600-R44-SS-1	SKID SKI ASSEMBLY	LTB2600-R44-D, SHT. 2	6BB
X	2	17564	LTB2600-R44-SS	SKID SKI INSTALLATION	LTB2600-R44, SHT. 2	5B

LIST OF MATERIALS (PER SHIP SET)						
UNLESS OTHERWISE SPECIFIED DIMENSIONS ARE IN INCHES			CONTRACT NO.		Airglas, Inc. Anchorage, Alaska	
DECIMALS X 1/32 ANGLES X 1/8"			SPEC. CONTROL NO.		LTB2600 MODULAR TERRAIN SYSTEM INSTALLATION ON ROBINSON R44	
HEAT TREAT			Approved by: CB		Size Code Ident.No.	
MATERIAL GOV. SPEC.			Checked by: CB		B 17564 LTB2600-R44	
STEEL MIL - H - 8875			Drawn by: JDH		REV A	
ALUM. MIL - H - 8898			Date: 8 FEB, 2013		Scale: Do Not Scale	
MAG. CAST MIL - H - 8857					Sheet 2 OF 2	

8 7 6 5 4 3 2 1