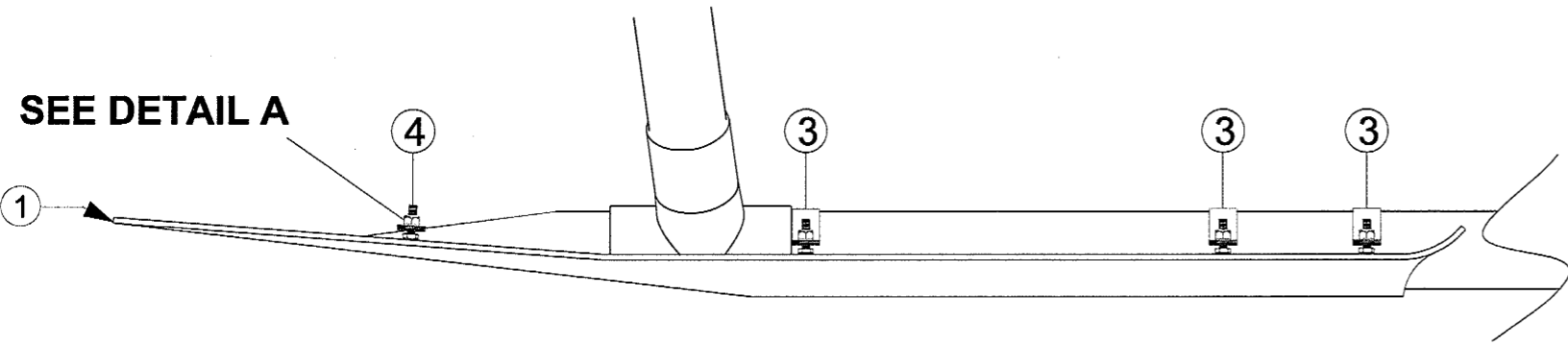
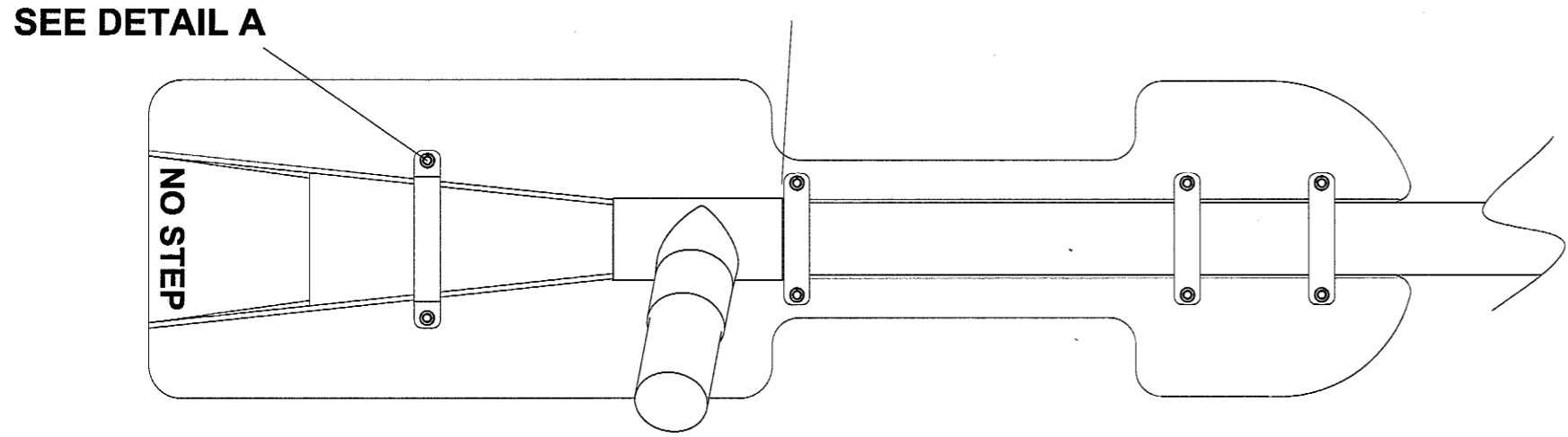


REVISIONS			
LTR	DESCRIPTION	DATE	APPROVED
A	REVISED NOTE 3, ADDED NOTE 4. REVISED LIST OF MATERIALS.	9/12/2014	CDB

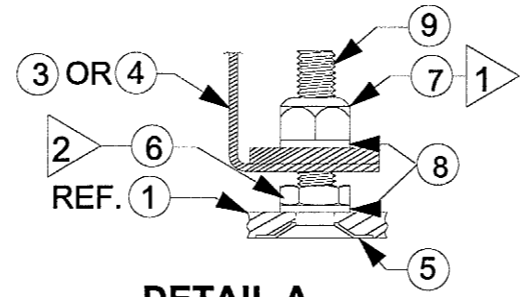


LOCATE STRAP WITHIN 1/8"
OF GEAR LEG SADDLE.



3 LTB2600-R44-TP TUNDRA PAD INSTALLATION

- NOTES:
1. TORQUE TO 30-40 INCH POUNDS.
 2. TORQUE TO 60-65 INCH POUNDS.
 3. TUNDRA PAD INSTALLATION IS THE SAME FOR BOTH LEFT AND RIGHT SKIDS.
 4. TWO REQUIRED FOR EACH AIRCRAFT INSTALLATION.



**DETAIL A
TYP. INSTALLATION**

THIS DRAWING INCLUDES INFORMATION PROPRIETARY TO AIRGLAS, INC. AND IS SUBMITTED FOR EVALUATION ONLY AND SHALL NOT BE USED TO MANUFACTURE OR REPRODUCE WITHOUT PERMISSION OF AIRGLAS, INC.

This document and the information disclosed herein are proprietary information of Airglas, Inc. Neither this document nor the information contained herein shall be transmitted, reproduced, copied, or disclosed in any form or by any means without the written authorization of Airglas, Inc.

The information disclosed herein includes trade secrets and confidential business and/or financial information and falls within exemption (b) (4) of 5 USC 552 (FOIA) and the prohibitions of 18 USC 1905.

NO.	QTY.	CODE-IDENT-NO	PART NO.	DESCRIPTION	P/N LOCATION, DWG	ZONE
9	16		NASS14P624-24P	SCREW	LTB2600-R44, SHT 1	5A
8	32		NAS1149F0563P	WASHER	LTB2600-R44, SHT 1	5A
7	16		MS21044NS	NUT	LTB2600-R44, SHT 1	5A
6	16		AN316-SR	NUT	LTB2600-R44, SHT 1	5A
5	16	17564	3018S	CSK WASHER	LTB2600-R44, SHT 1	4A
4	2	17564	L2600-R44-3A	STRAP ASSY, REAR	LTB2600-R44-S	3C
3	6	17564	L2600-R44-1A	STRAP ASSY, CENTER	LTB2600-R44-S	7E
2				RESERVED		
1	2	17564	LTB2600-R44-TP-1	TUNDRA PAD ASSEMBLY	LTB2600-R44-D, SHT 1	6B
X	2	17564	LTB2600-R44-TP	TUNDRA PAD INSTALLATION	LTB2600-R44, SHT 1	6B
NO.	QTY.	CODE-IDENT-NO	PART NO.	DESCRIPTION	P/N LOCATION, DWG	ZONE

UNLESS OTHERWISE SPECIFIED DIMENSIONS ARE IN INCHES		CONTRACT NO.	Airglas, Inc. Anchorage, Alaska	
DECIMALS	ANGLES	SPEC. CONTROL NO.	LTB2600 MODULAR TERRAIN SYSTEM INSTALLATION ON ROBINSON R44	
X ± .015	X' ± 5"	Approved by: CB	Size	Code Ident.No.
HEAT TREAT	GOV. SPEC.	Checked by: CB	B 17564	LTB2600-R44
STEEL	MIL-H-6875	Drawn by: JDH	REV	A
ALUM.	MIL-H-6888	Date: 8 FEB, 2013	Scale: Do Not Scale	Sheet: 1 OF 2
MAG. CAST	MIL-H-6857			