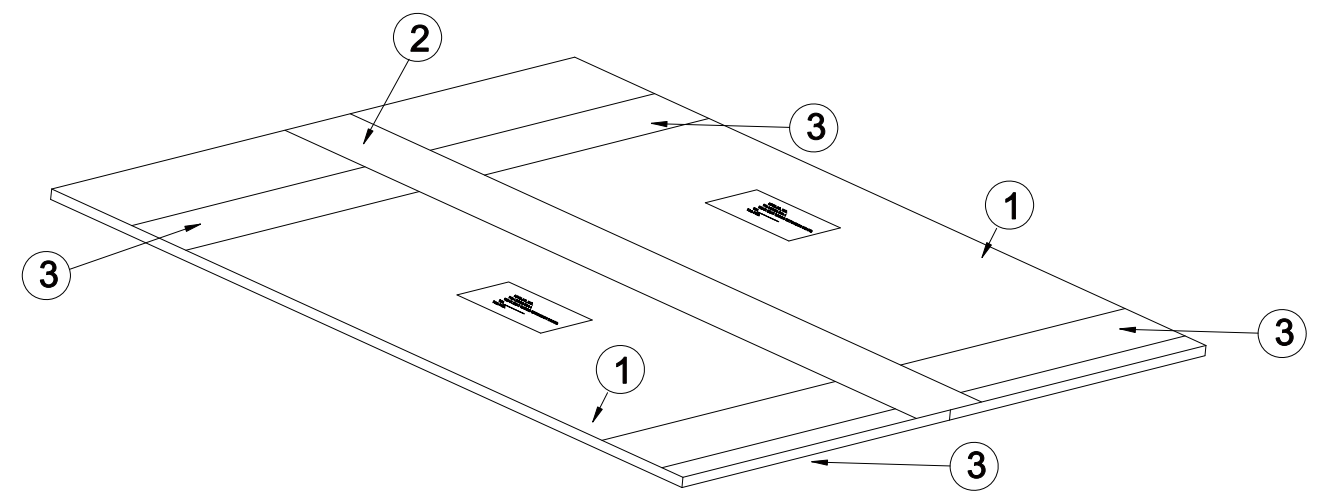
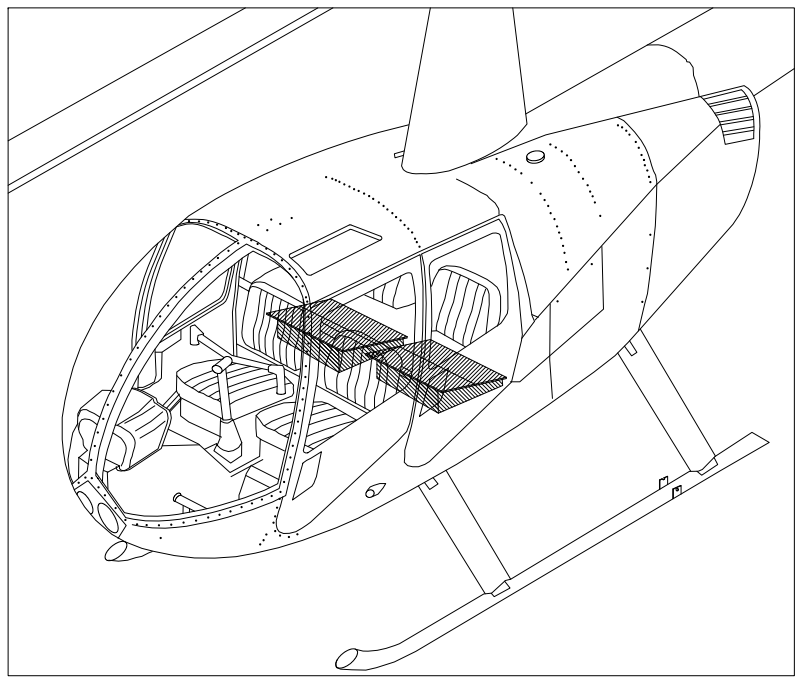


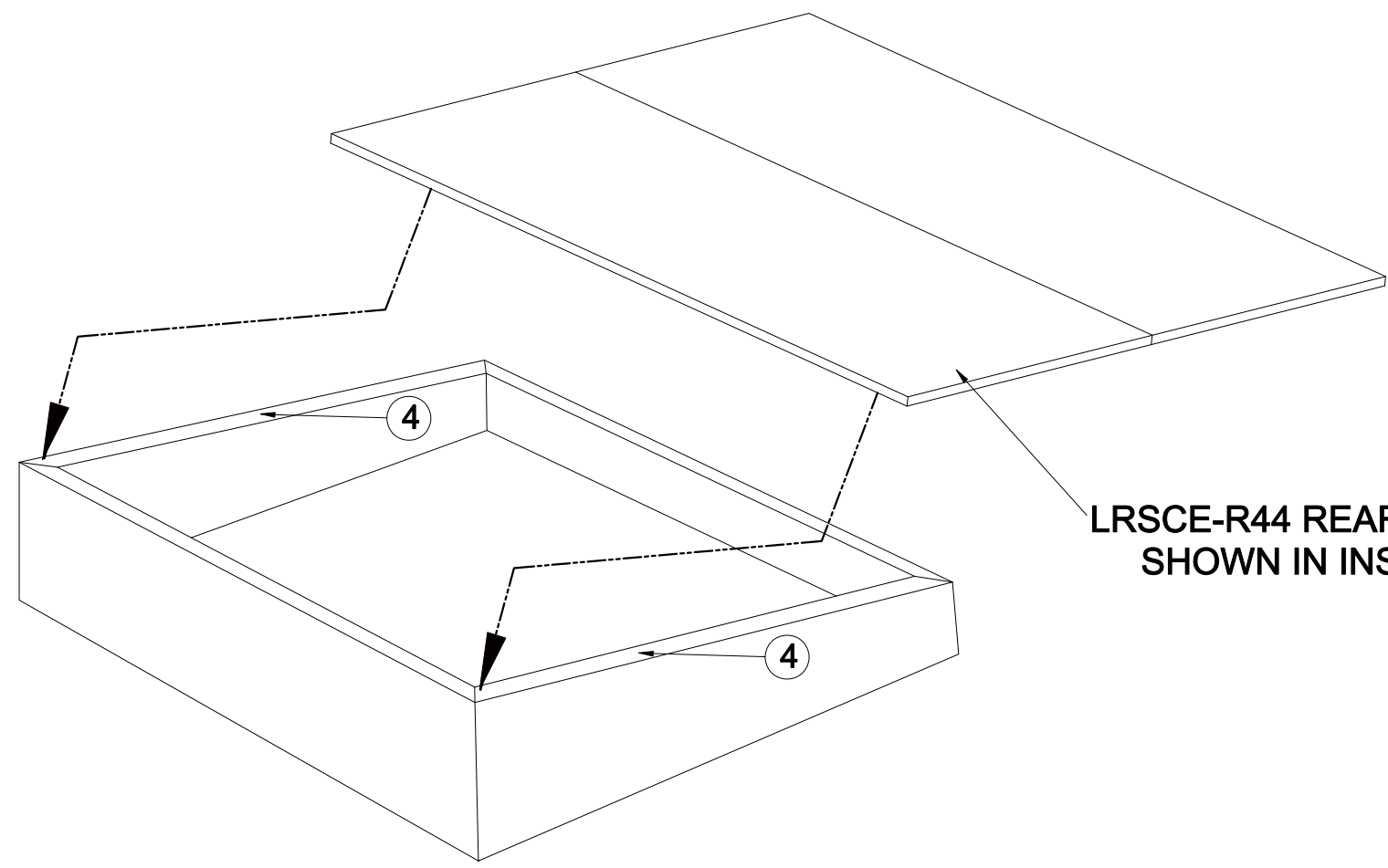
| REVISIONS | | | |
|-----------|-------------|------|----------|
| LTR | DESCRIPTION | DATE | APPROVED |
| | | | |
| | | | |

NOTES:

1. INSTALL TWO EACH 17" LENGTHS OF 90197 HOOK SIDE VELCRO ON THE UPPER SIDE RAILS OF THE AFT SEAT SUPPORTS. TRIM EXCESS.
2. PLACE THE LRSCE-R44 ON THE AFT SEAT SUPPORTS WITH THE LOOP SIDE (FUZZY) DOWN, OVERHANG TO THE OUTER EDGE OF THE SEAT SUPPORTS BY 1 1/2".
3. ALIGN THE VELCRO TO MATCH AND PRESS TOGETHER FIRMLY.



LRSCE-R44 REAR SEAT CARGO EXTENSION (BOTTOM SIDE DEPICTED)



LRSCE-R44 REAR SEAT CARGO EXTENSION SHOWN IN INSTALLATION POSITION

**AFT SEAT SUPPORT INSTALLATION
SEAT BOTTOM NOT DISPLAYED FOR CLARITY
(REFERENCE FIGURE 2-39 R44 IPC)**

| NO. | QTY | CODE-IDENT-NO | PART NO. | DESCRIPTION | NOTES |
|-----|-----|---------------|-------------|---------------------------|-------------|
| 4 | 2 | 17564 | 90197 | HOOK SIDE VELCRO | 17" LENGTH |
| 3 | 4 | 17564 | 90198 | LOOP SIDE VELCRO | 7.5" LENGTH |
| 2 | 1 | 17564 | 90198 | LOOP SIDE VELCRO | 22" LENGTH |
| 1 | 2 | 17564 | LRSCE-R44-1 | CARGO EXTENSION BOARD | |
| X | 1 | 17564 | LRSCE-R44 | REAR SEAT CARGO EXTENSION | |

LIST OF MATERIALS (PER CARGO EXTENSION)

THIS DRAWING INCLUDES INFORMATION PROPRIETARY TO AIRGLAS, INC. AND IS SUBMITTED FOR EVALUATION ONLY AND SHALL NOT BE USED TO MANUFACTURE OR REPRODUCE WITHOUT PERMISSION OF AIRGLAS, INC. Neither this document nor the information contained herein shall be transmitted, reproduced, copied, or disclosed in any form or by any means without the written authorization of Airglas, Inc.

The information disclosed herein includes trade secrets and confidential business and/or financial information and falls within exemption (b) (4) of 5 USC 552 (FOIA) and the prohibitions of 18 USC 1905.

| | | | | | |
|---|----------------------|-------------------------|--|--|--------------|
| UNLESS OTHERWISE SPECIFIED DIMENSIONS ARE IN INCHES | | CONTRACT NO. | | Airglas, Inc. Anchorage, Alaska | |
| DECIMALS x ± .2 | ANGLES x' ± 0" | SPEC. CONTROL NO. | | LRSCE-R44 REAR SEAT CARGO EXTENSION INSTALLATION ON ROBINSON R44 | |
| HEAT TREAT GOV. SPEC. | | Approved by: JDH | | REV | |
| STEEL MIL - H - 6876 | ALUM. MIL - H - 8088 | Checked by: JDH | | Size Code Ident.No. | B 17564 |
| MAG. CAST MIL - H - 6857 | | Drawn by: CDB | | LRSCE-R44 | (-) |
| | | Date: November 25, 2013 | | Scale: Do Not Scale | Sheet 1 OF 2 |