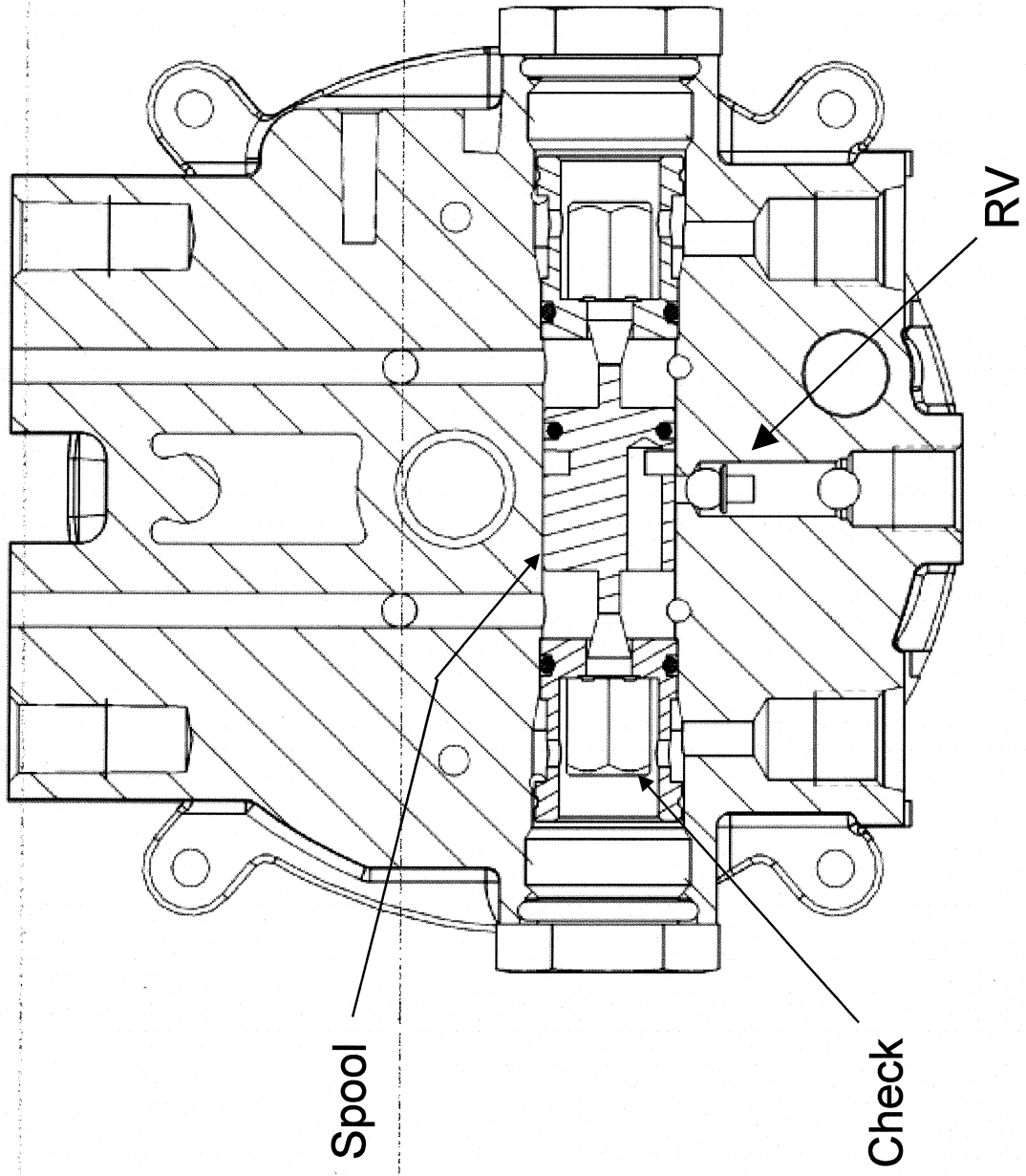
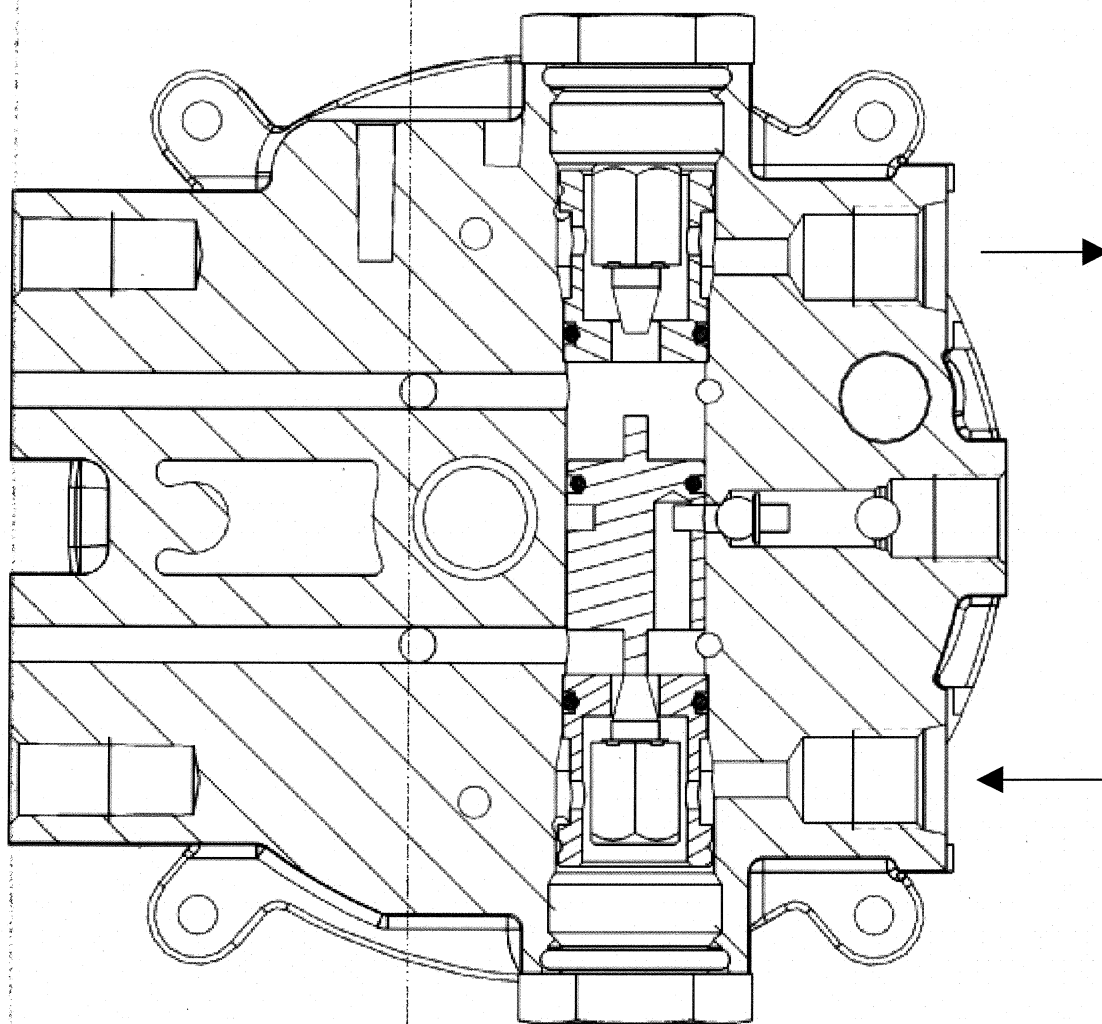


**"LB" UP EXTEND**



"LB" UP NEUTRAL



**"LB" UP RETRACT**