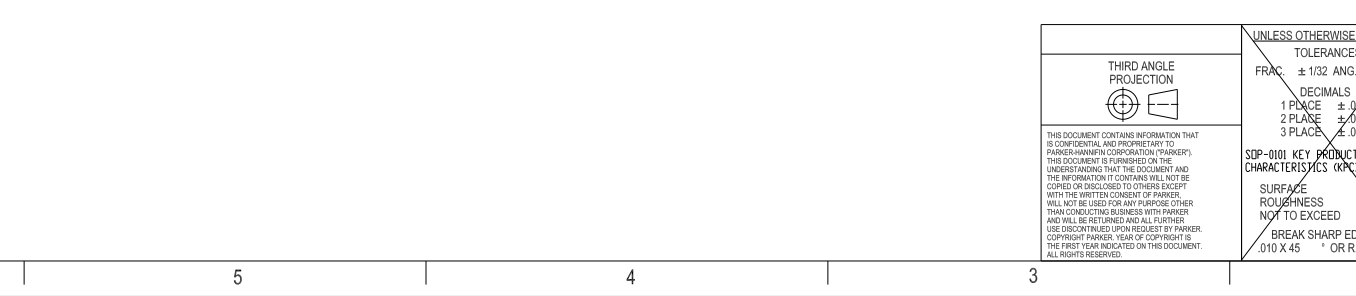
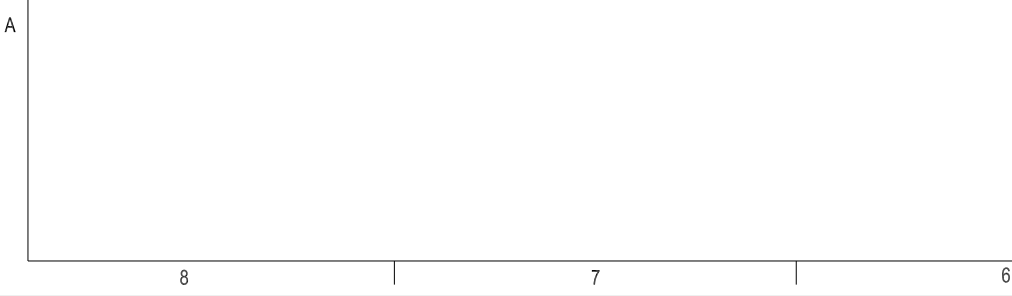
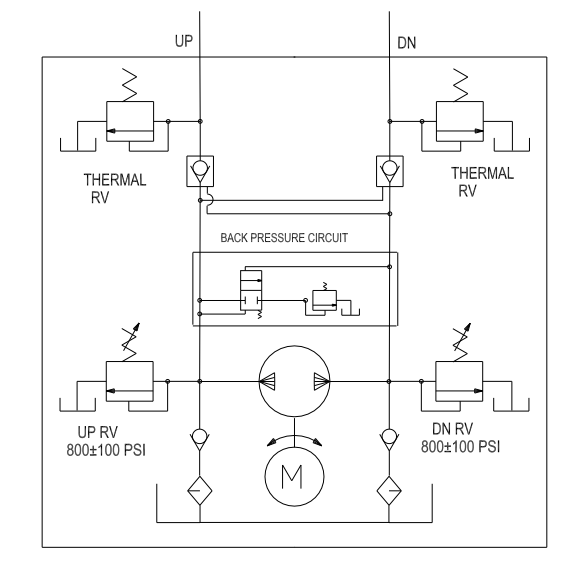
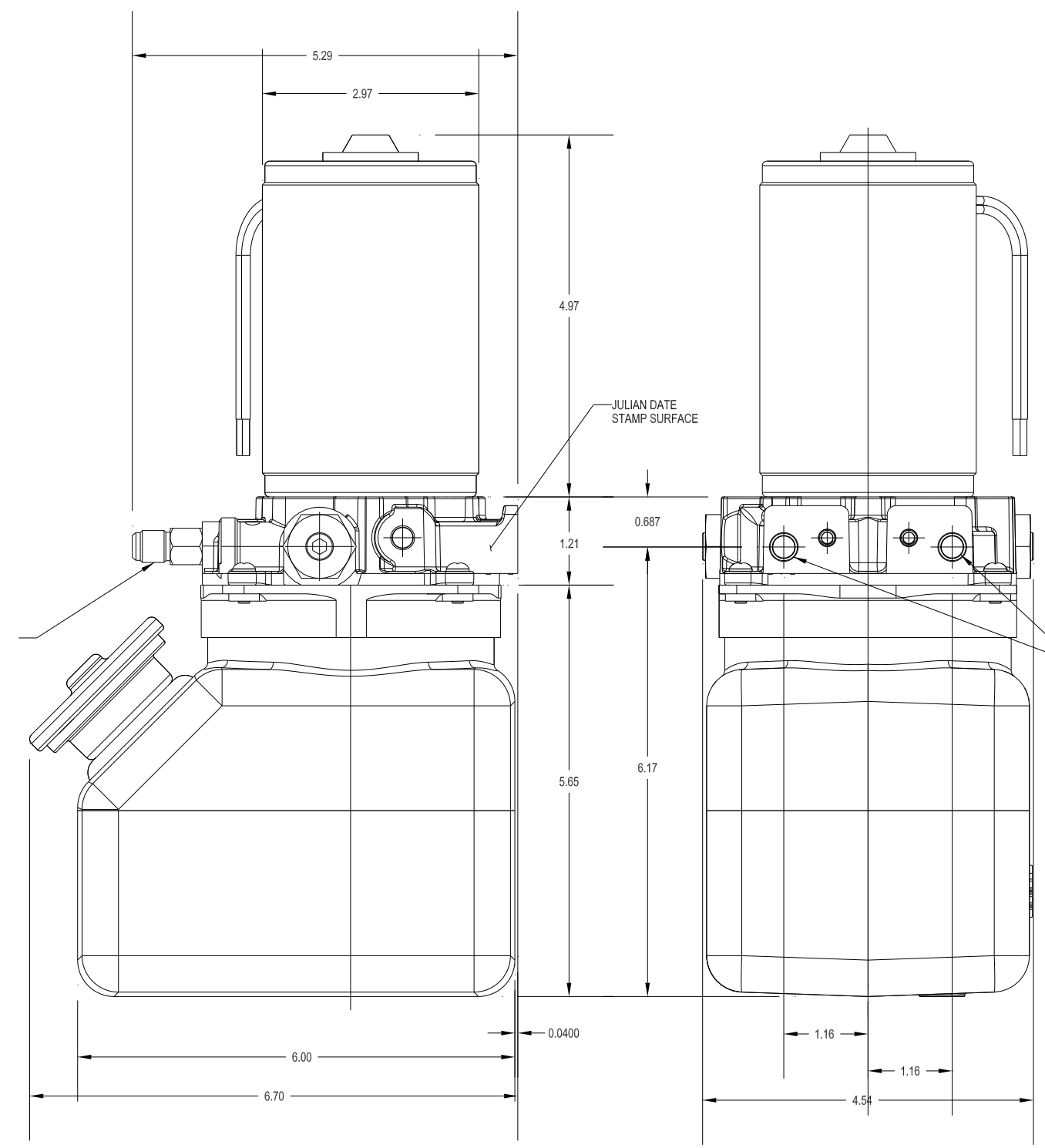
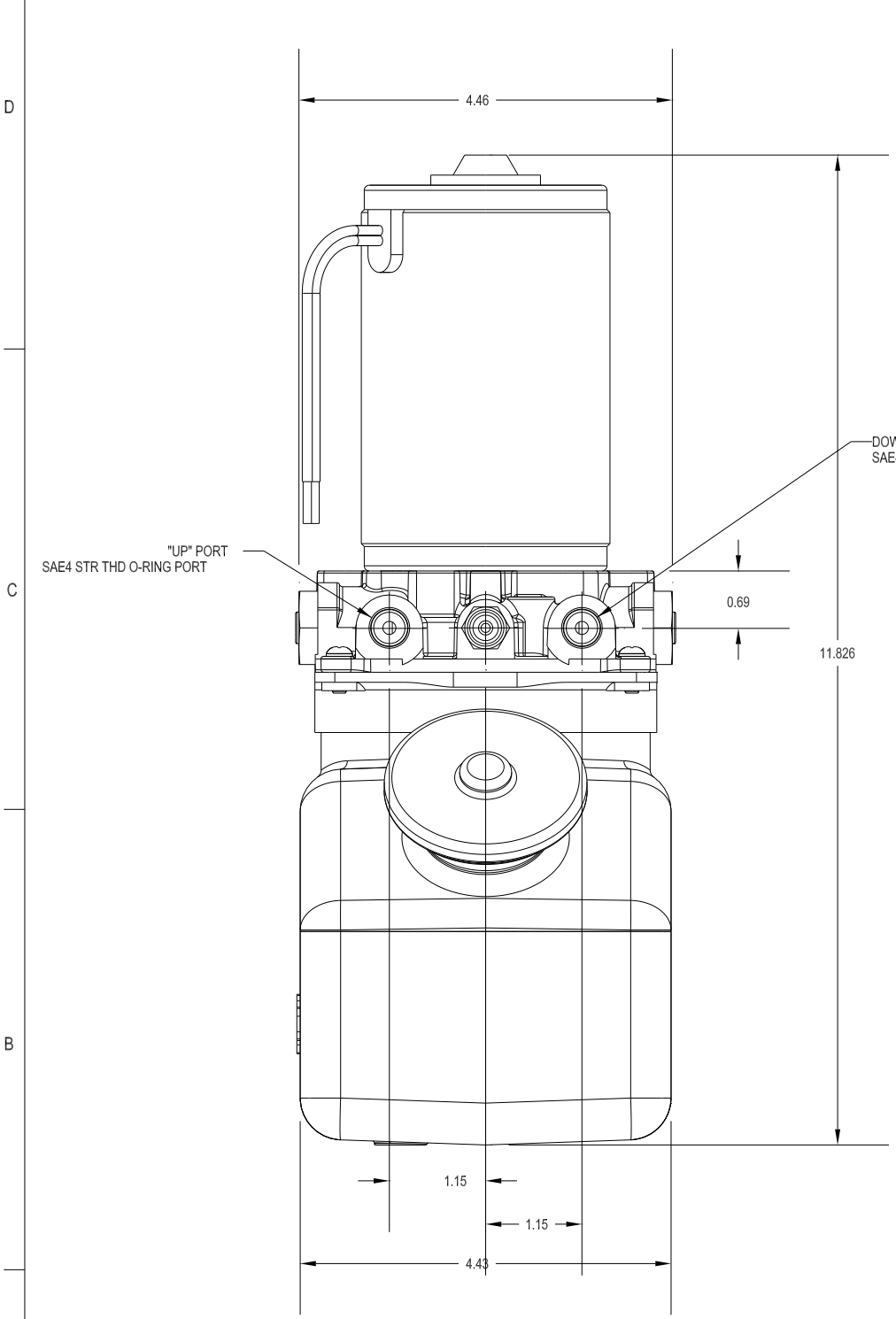


REVISIONS				
ISS	SYM	DESCRIPTION	DATE	DRWN / CHKD
3	-	RELEASE DRAWING PER PCO 2906	3-1-12	GJB / TRF



<p>THIRD ANGLE PROJECTION</p>	<p>UNLESS OTHERWISE NOTED</p> <p>TOLERANCES</p> <p>FRAC ± 1/32 ANG. ± 2'</p> <p>DECIMALS</p> <p>1 PLACE ± .020</p> <p>2 PLACE ± .010</p> <p>3 PLACE ± .005</p> <p>SDP-001 KEY PRODUCT CHARACTERISTICS (KPC) ① ②</p> <p>SURFACE ROUGHNESS</p> <p>BREAK SHARP EDGES .010 X 45 ° OR R.005</p>	DRWN 3-1-12 GJB	<p>Parker-Hannifin Corporation Dalyne Division Hydraulics</p>
		CHKD 3-1-12 GMM	
<p>THIS DOCUMENT CONTAINS INFORMATION THAT IS CONFIDENTIAL AND PROPRIETARY TO PARKER-HANNIFIN CORPORATION (PARKER). THIS DOCUMENT IS FURNISHED ON THE UNDERSTANDING THAT THIS DOCUMENT AND THE INFORMATION IT CONTAINS WILL NOT BE COPIED OR DISCLOSED TO OTHERS EXCEPT WITH THE WRITTEN CONSENT OF PARKER. WILL NOT BE USED FOR ANY PURPOSE OTHER THAN CONDUCTING BUSINESS WITH PARKER AND WILL BE RETURNED UPON REQUEST BY PARKER. COPYRIGHT PARKER. YEAR OF COPYRIGHT IS THE FIRST YEAR INDICATED ON THIS DOCUMENT. ALL RIGHTS RESERVED.</p>		<p>108BEC32-PLB-1H-08-08-YZ</p>	
<p>HEAT TREATMENT</p> <p>SURFACE TREATMENT</p>		SCALE 1.000	644682
<p>WEIGHT</p>		<p>SHEET NO. 1 OF 1</p>	