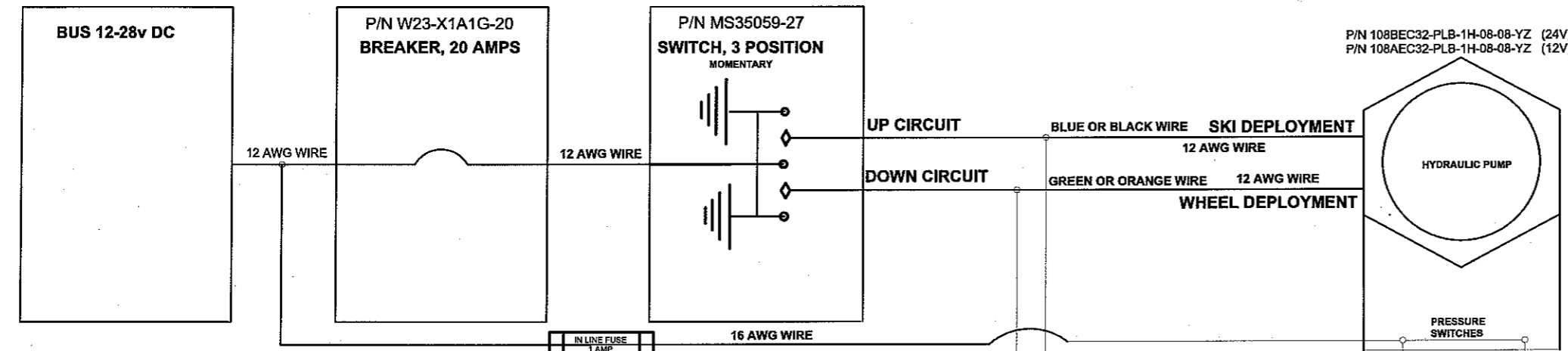


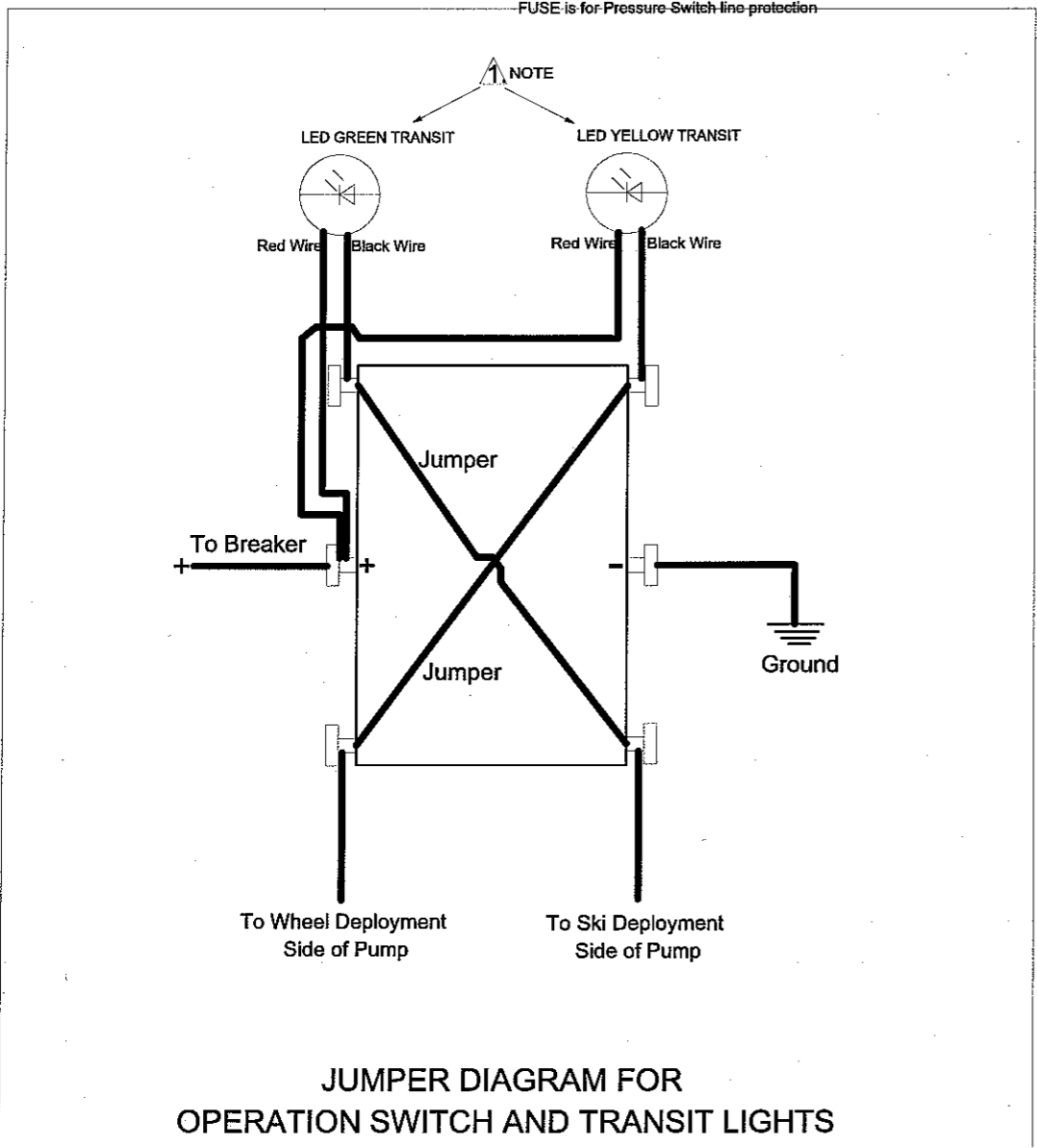
REVISIONS				
ZONE	LTR	DESCRIPTION	DATE	APRVD BY
C7	A	Reversed Bulb Color	23 NOV 09	CED
C7	B	Added Note 1.	22 DEC 10	CED
	C	Added Aviat A-1 Series	07 Sep 11	CED

Notes:

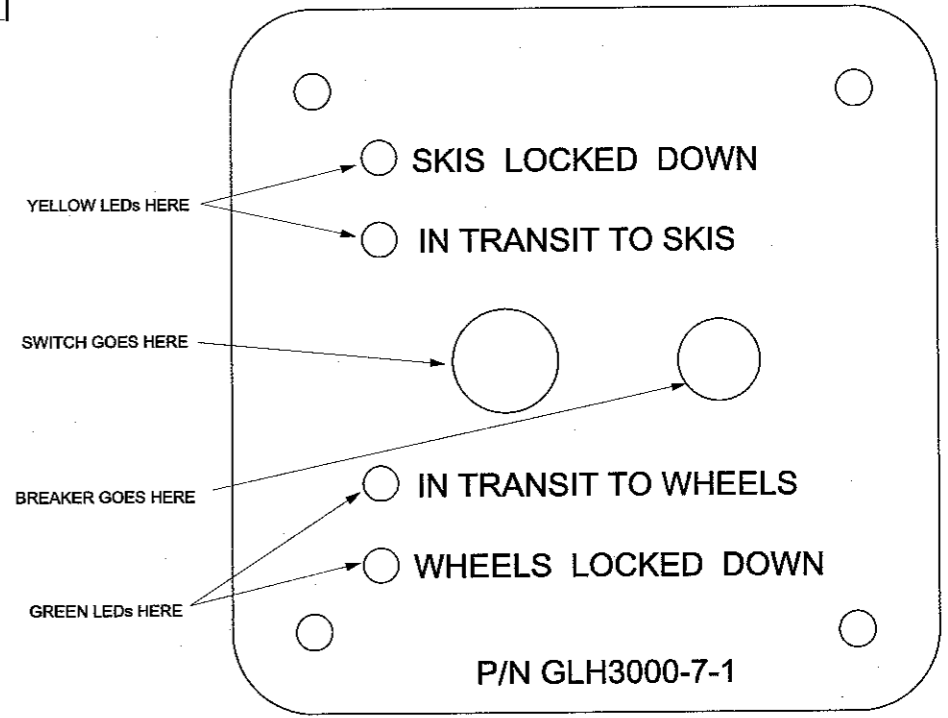
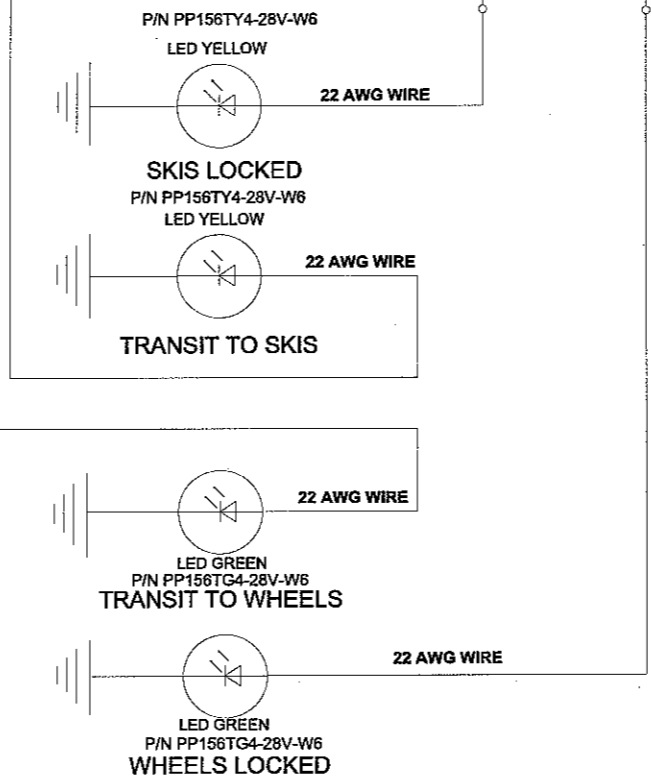
⚠ This is an alternative method for connecting the Transit Lights that utilizes the contacts on the switch for convenience. Either option depicted in this drawing will produce the same operating results.



P/N 108BEC32-PLB-1H-08-08-YZ (24V)
P/N 108AEC32-PLB-1H-08-08-YZ (12V)



JUMPER DIAGRAM FOR OPERATION SWITCH AND TRANSIT LIGHTS



DRAWING NOT TO SCALE

THIS DOCUMENT OR DRAWING INCLUDES INFORMATION PROPRIETARY TO AIRGLAS, INC. AND IS SUBMITTED FOR EVALUATION ONLY AND SHALL NOT BE USED TO MANUFACTURE OR REPRODUCE WITHOUT PERMISSION OF AIRGLAS, INC.

NO.	QTY	CODE IDENT. NO.	PART NUMBER	DESCRIPTION	STOCK SIZE	MATERIAL	MATERIAL SPEC.	UTS 1000	FINISH	CALC. UNIT	ACT. WT	ZONE
LIST OF MATERIALS												
UNLESS OTHERWISE SPECIFIED DIMENSIONS ARE IN INCHES TOLERANCES ON:							CONTRACT NO.		Airglas, Inc. Anchorage, Alaska			
Aviat A-1 Series							SPEC. CONTROL NO.		Electrical Schematic			
FBA-2C1							Checked by: WKL					
C-180							Approved by: JDH					
LH4000 C-185												
GLH3000 PA-18							MATERIAL GOV. SPEC.		Size Code Ident.No.		REV	
NEXT ASSY. USED ON							STEEL MIL - H - 6875		B 17564		GLH3000-7 C	
							ALUM. MIL - H - 6088		Scale: No Scale		Sheet 1 OF 1	
							MAG. CAST MIL - H - 6857		Date: 3 SEPTEMBER 2009			
APPLICATION							Drawn by: Christopher Donnelly					