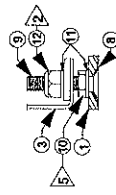


ZONE	LTR	DESCRIPTION	DATE	APPROV
CS	A	Add Note on the upper...	21 March 07	WHO
	B	Change drawing title...	16 June 2010	CEB
	C	L2700-OH58D-1...	19 July 2012	CB

NOTES

1. REMOVE SKIS FROM SKID TUBE PRIOR TO THE INSTALLATION OF SKIS.
2. TORQUE TO 30 INCH POUNDS ± 5 INCH POUNDS
3. SKIS CAN BE INTERCHANGED FROM LEFT TO RIGHT WITHOUT MODIFICATION.
4. QUANTITIES SHOWN ARE FOR 1 SKI KIT (i.e. TWO (2) SKIS TOTAL)
5. TORQUE TO 50 - 65 INCH POUNDS
6. L2700-OH58D-4 ADAPTER ONLY USED ON THE MPH (PN 406-052-001-17 SKID TUBE ASSY).
7. STANDARD OH-58D LANDING GEAR DOES NOT INCLUDE THE LABELS L2700-OH58D-4 ADAPTER.
8. TORQUE TO 45 ± 5 INCH POUNDS



**DETAIL A-A (FULL SCALE)
TYP. INSTALLATION**

QUANTITIES LISTED ARE FOR A COMPLETE SET (2 SKIS)

NO. QTY	POUR DEPT. NO.	PART NUMBER	DESCRIPTION	STOCK SIZE	MATERIAL	FINISH	FINISH	UNIT	WT.										
16	2	L2700-OH58D-2	RUNNER																
15	2	L2700-OH58D-3	RUNNER BRACER																
14	2	L2700-OH58D-4	ADAPTER																
13	98	SS588-6	ADAPT NUT																
12	38	MS21022L5	NUT																
11	72	AN860-516L	WASHER																
10	36	AN318-5R	NUT																
9	36	MS518P3A-4	SCREW																
8	36	30185	CSK WASHER																
7	4	L2700-OH58D-5	RUNNER																
6	2	L2700-OH58D-4	RUNNER																
5	4	L2700-OH58D-3	RUNNER																
4	2	L2700-OH58D-2	STRAP ASSY.																
3	8	L2700-206A-3	STRAP ASSY.																
2	2	L2700-206A-2	STRAP ASSY.																
1	2	L2700-OH58D-1	RN																
X	1	L2700-OH58D	SKI KIT																
NO. QTY		POUR DEPT. NO.		PART NUMBER		DESCRIPTION		STOCK SIZE		MATERIAL		FINISH		FINISH		UNIT		WT.	

LIST OF MATERIALS

UNLESS OTHERWISE SPECIFIED (CONSULT THE DRAWING FOR DIMENSIONS AND FINISHES)

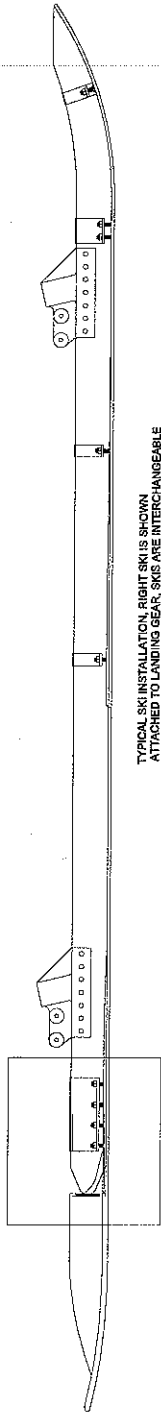
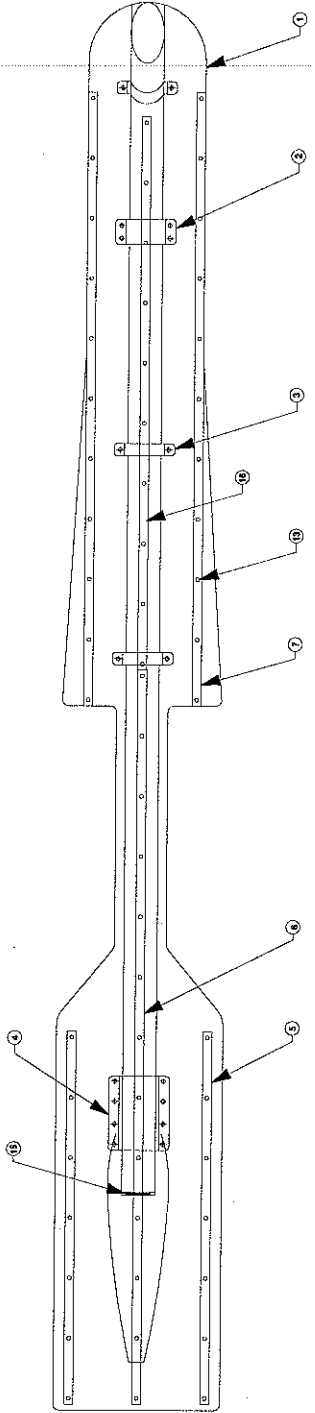
CONTRACT NO.

APPROVED BY: WCL

DESIGNED BY: GARY LANTIERE

DATE: 03-07-2008

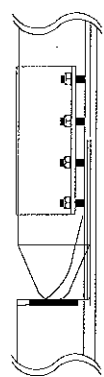
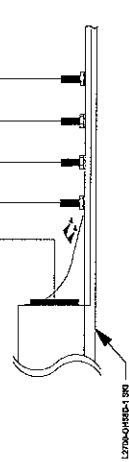
REV. C



DETAIL B

TYPICAL SKI INSTALLATION, RIGHT SKI IS SHOWN ATTACHED TO LANDING GEAR. SKIS ARE INTERCHANGEABLE

**Standard Gear
Bell p/n 406-052-001-114
p/n 406-052-001-115**



DETAIL B SCALE 1:2

For use of government / military personnel and subcontractors installing skis on the Bell Kiawa OH-58D helicopter.

The proprietary information on this drawing shall not be used to manufacture or reproduce any part without permission of Airglas Inc.

Bell OH-58D, Standard Gear Installation

Rev. C

Part B

L2700-OH58D STD

Sheet 1 of 1