

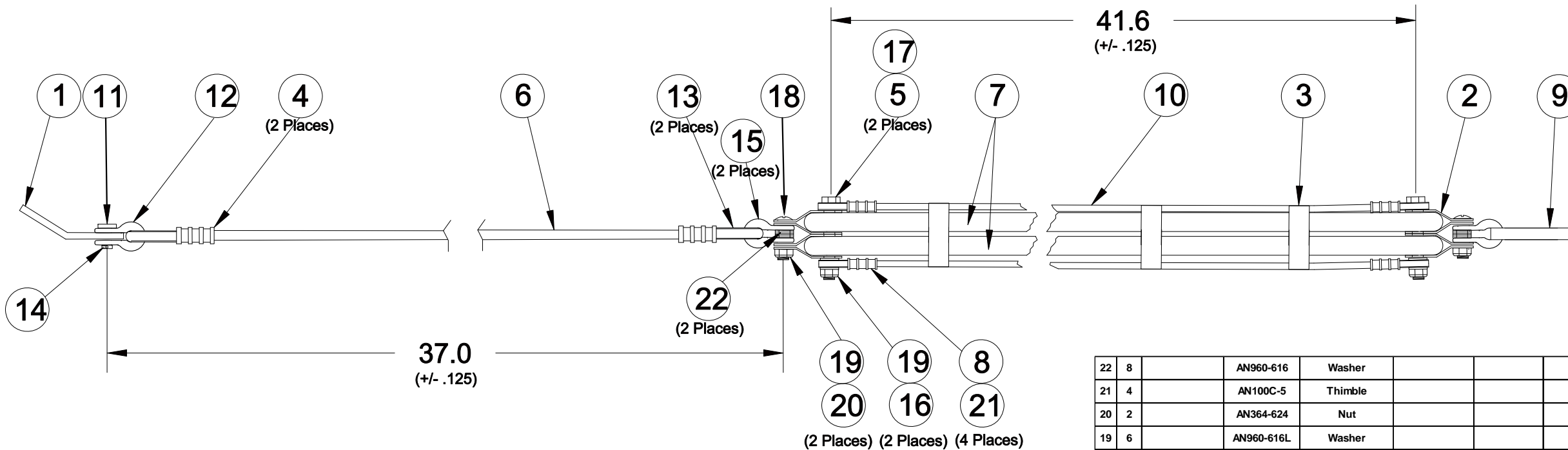
4

3

2

1

NOTE: DIMENSION WHEN BUNGEE IS FULLY STRETCHED



NO.	QTY.	CODE IDENT. NO.	PART NO.	DISCRIPTION	STOCK SIZE	MATL.	MATL. SPEC.	UTS 1000	FINISH	CALC. UNIT	ACT WT	ZONE
22	8		AN960-616	Washer								
21	4		AN100C-5	Thimble								
20	2		AN364-624	Nut								
19	6		AN960-616L	Washer								
18	2		AN26-21	Clevis Bolt								
17	2		AN6-24A	Bolt								
16	2		AN365-624	Nut								
15	2		AN115-61	Shackle								
14	3		AN380-3-2	Cotter Pin								
13	2		AN100C-6	Thimble								
12	1		AN115-46	Shackle								
11	1		AN395-17	Clevis Pin								
10	2		L44000-11-8-4	Cable Assy.	5/32" Comp B Stainless Steel		MIL-W-83420					
9	1	17564	L44000-11-8-3	Ring	2.13 OD x .313W	4130N Steel	MIL-T-6736A					
8	4		MS51844-25	Nicopress Sleeve								
7	2		8020CW	Shock Ring								
6	1		L44000-11-8-2	Cable Assy.	3/16" Comp B Stainless Steel		MIL-W-83420					
5	2	17564	L44000-11-8-1	Tube	.75 OD x .188W	Aluminum						
4	2		MS51844-26	Nicopress Sleeve								
3	AR			Tape	AS REQ'D	VINYL						
2	8	17564	L44000-11-8-6	Tab	2.4 x .8 x .090							
1	1	17564	L44000-11-8-5	Tab	2.3 x 1 x .125							
		17564	L44000-11-8HD	CABLE ASSY	FWD SKI							

B

B

A

A

UNLESS OTHERWISE SPECIFIED
DIMENSIONS ARE IN INCHES
TOLERANCES EXCEPT AS NOTED
DECIMALS .X± .125 ANGLES
.XX± .125 .X± .5°
.XXX± .010

HEAT TREAT

MAT'L GOV. SPEC
STEEL MIL-H-6875
ALUM. MIL-H-6088
MAG CAST MIL-H-6857

Airglas, Inc.
Anchorage, Alaska

**SAFETY CABLE &
SHOCK RING ASSY.
FWD SKI**

Approved by : CB

Checked by : CB

Drawn by : JDH

Date : 19 Feb 2014

Size B Code Ident.No. 17564 **L44000-11-8HD** REV

Scale DO NOT SCALE Sheet 1 OF 1

THIS TECHNICAL DATA FURNISHED UNDER UNITED STATES GOVERNMENT CONTRACT NO. DAAJ01-71-C-0437 (P1F), SHALL NOT, WITHOUT THE WRITTEN PERMISSION OF AIRGLAS, INC. BE EITHER (a) USED, RELEASED IN WHOLE OR IN PART OUTSIDE THE GOVERNMENT, (b) USED IN WHOLE OR PART BY THE GOVERNMENT FOR MANUFACTURE OR (c) USED BY A PARTY OTHER THAN THE GOVERNMENT, EXCEPT FOR: (1) EMERGENCY REPAIR OR OVERHAUL WORK ONLY, OR FOR THE GOVERNMENT, WHERE THE ITEM OR PROCESS CONCERNED IS NOT OTHERWISE REASONABLY AVAILABLE TO ENABLE TIMELY PERFORMANCE OF THE WORK, PROVIDED THAT THE RELEASE OR DISCLOSURE HEREOF OUTSIDE THE GOVERNMENT, AS THE INTEREST OF THE UNITED STATES MAY REQUIRE, ONLY FOR INFORMATION OR EVALUATION WITHIN SUCH GOVERNMENT OR FOR EMERGENCY REPAIR OR OVERHAUL WORK OR FOR SUCH GOVERNMENT UNDER THE CONDITION OF ABOVE. THIS LEGEND SHALL BE MARKED ON ANY REPRODUCTION HEREOF IN WHOLE OR PART.

APPLICATION	USED ON
L44000-11	
NEXT ASSY	

4

3

2

1