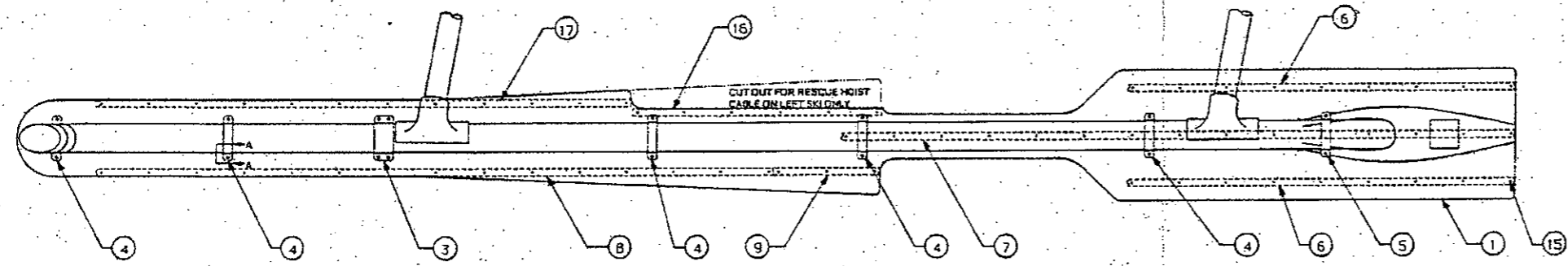
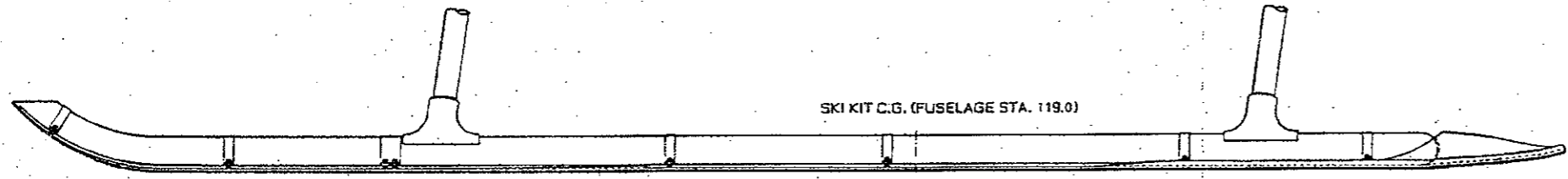


REVISIONS				
ZONE	LTR	DESCRIPTION	DATE	APPROVED

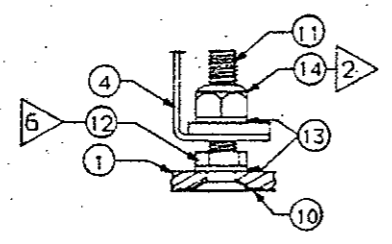


LEFT HAND-SKI SHOWN, RIGHT HAND SKI DOES NOT HAVE CUT OUT



SKI KIT C.G. (FUSELAGE STA. 119.0)

TYPICAL SKI INSTALLATION, LEFT SKI IS SHOWN ATTACHED TO LANDING GEAR



DETAIL A-A (FULL SCALE)  
TYP. INSTALLATION

INSTALLATION IN ACCORDANCE WITH STC # SH4602NM

NOTES

- REMOVE SHOES FROM SKID TUBE PRIOR TO THE INSTALLATION OF SKIS.
- TORQUE TO 36 INCH POUNDS ± 5 INCH POUNDS.
- THIS SKI KIT IS FOR INSTALLATION ON BELL HIGH SKID LANDING GEAR ASSY. P/N 206-053-202-101 (THE SKID TUBE ASSY. IS 206-053-118-105/106).
- QUANTITIES LISTED ARE PER SKI SET (I.E. FOR TWO SKIS).
- ITEM ② NOT SHOWN ON DRAWING.
- TORQUE TO 60 - 85 INCH POUNDS

THIS DRAWING INCLUDES INFORMATION PROPRIETARY TO AIRGLAS ENGINEERING CO., INC., AND SHALL NOT BE USED TO MANUFACTURE OR REPRODUCE WITHOUT PERMISSION OF AIRGLAS ENGINEERING CO., INC.

NO.	QTY	CODE IDENT. NO.	PART NUMBER	DESCRIPTION	STOCK SIZE	MATERIAL	MATERIAL SPEC.	UTS 1000	FINISH	CALC. UNIT	ACT. WT	ZONE
17	1		L2700-206LHS-7	RUNNER								
16	1		L2700-206LHS-6	RUNNER								
15	136		SS86-6	KLIK FAST RIVET		STAINLESS STEEL RIVET W/ STEEL MANDREL	IF-114, IFI GRADE 50					
14	32		AN365-524	NUT								
13	64		AN960-516	WASHER								
12	32		AN316-5R	NUT								
11	32		NASS14PS24-24	SCREW								
10	32		30185	CTSK WASHER								
9	3		L2700-206LHS-5	RUNNER								
8	3		L2700-206LHS-4	RUNNER								
7	2		L2700-206LHS-3	RUNNER								
6	4		L2700-206LHS-2	RUNNER								
5	2		L2700SA341-6	STRAP ASSY.								
4	10		L2700-206A-3	STRAP ASSY.								
3	2		L2700-206A-2	STRAP ASSY.								
2	1		L2700-206LHS-1	RIGHT SKI						(SEE NOTE 5)		
1	1		L2700-206LHSR-1	LEFT SKI								
⊗	1		L2700-206LHSR	SKI KIT						SKI KIT WEIGHT = 72 lbs, CG 1" AFT OF FWD EDGE OF WHEELWELL		

REDUCED DRAWING  
NOT TO SCALE

LIST OF MATERIALS

UNLESS OTHERWISE SPECIFIED DIMENSIONS ARE IN INCHES		CONTRACT NO.	AIRGLAS ENGINEERING CO., INC. Anchorage, Alaska
DECIMALS X ± .1 ANGLES X ± 2°		SPEC. CONTROL NO.	
HEAT TREAT		Approved by: <i>[Signature]</i>	SKI INSTALLATION FOR BELL 206L-4 W/ RESCUE HOIST ON HIGH SKID GEAR
MATERIAL GOV. SPEC.		Checked by: <i>[Signature]</i>	
BELL 206L-4	STEEL MIL-H-6875	Drawn by: Gary Landes	Size Code Ident. No. D 17564 L2700-206LHSR
NEXT ASSY.	USED ON	Date: 2-22-96	Scale: 1:8 & NOTED Sheet 1 of 1