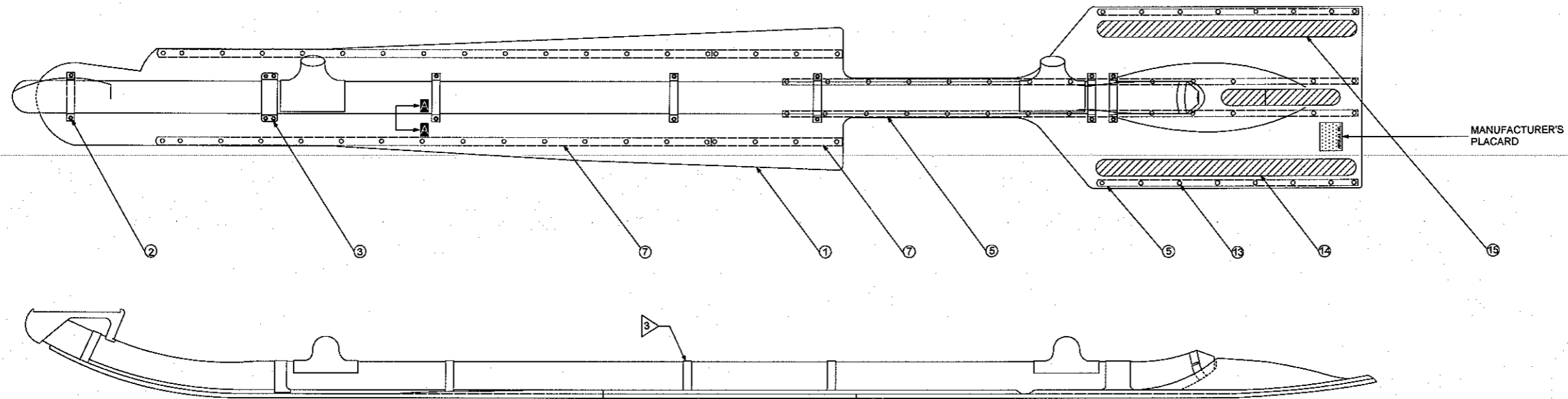


ZONE	LTR	DESCRIPTION	DATE	APPRVD BY
ALL	G	Original Drawing was 1988 Redrawn in Electronic Format	13 AUG 2008	CEJ

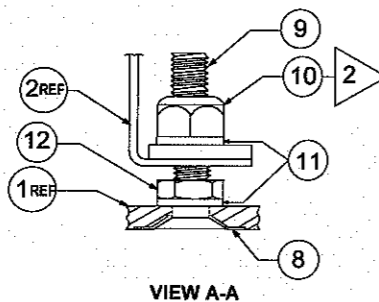


LEFT HAND SKI SHOWN

NOTES : 1. IT IS REQUIRED THAT THE SHOE ASSEMBLY BE REMOVED AND THE HOLES PLUGGED WITH AN525-10R7 WASHER HEAD SCREWS, WET INSTALL WITH SEALANT BEFORE INSTALLATION OF SKI.

2 TORQUE TO 36 INCH POUNDS ± 5 INCH POUNDS.

3 SOME MODELS MAY REQUIRE REMOVAL OF THIS STRAP AND ASSOCIATED HARDWARE TO PROVIDE CLEARANCE FOR THE RETRACTABLE STEP.



VIEW A-A

PER STC # SH198AL, BELL 205A, 205A-1  
 PER STC # SH449AL, BELL 212  
 PER STC # SH1919NM, BELL 412

NO.	QTY	CODE IDENT. NO.	PART NUMBER	DESCRIPTION	STOCK SIZE	MATERIAL	MATERIAL SPEC.	UNITS 1000	FINISH	CALC. UNIT	ACT. WT	ZONE
15	2	17564	L8500A-9-4	NON-SKID	2 x 14							
14	4	17564	L8500A-9-1	NON-SKID	2 x 32							
13	180		SSB6-8	RIVET								
12	32		AN316-524-5R	NUT, SHEAR								
11	64		AN960-516	WASHER								
10	32		MS21042-5	NUT								
9	32		NAS514P524-24P	SCREW								
8	32	17564	30185	WASHER, CSK								
7	4	17564	L8500A-8	RUNNER								
6	4	17564	L8500A-7	RUNNER								
5	4	17564	L8500A-6	RUNNER								
4	4	17564	L8500A-5	RUNNER								
3	2	17564	L8500A-4	STRAP								
2	12	17564	L8500A-3	STRAP								
1	1	17564	L8500A-1	LEFT SKI								
1	1	17564	L8500A	SKI KIT	WEIGHT = 72 lbs. PER SKI, CG = 47.25" FWD of SOCKET FACE							

LIST OF MATERIALS			
UNLESS OTHERWISE SPECIFIED DIMENSIONS ARE IN INCHES	CONTRACT NO.	AIRGLAS, INC. Anchorage, Alaska	
BELL 205A-1	SPEC. CONTROL NO.	BELL 205, 212, 412 INSTALLATION	
BELL 205A	Approved by: WKL	Size	Code Ident. No.
BELL 412	Checked by: JDH	E	17564
BELL 212	Drawn by: Christopher Donnelly	Scale	1:1
MATERIAL GOV. SPEC.	HEAT TREAT	APPROVAL	REV
STEEL MIL - H - 8875		DATE	G
ALUM. MIL - H - 8088		13 AUG 2008	
MAG. CAST MIL - H - 8857			
NEXT ASSY. USED ON	APPLICATION	Scale	1 OF 1