

4

3

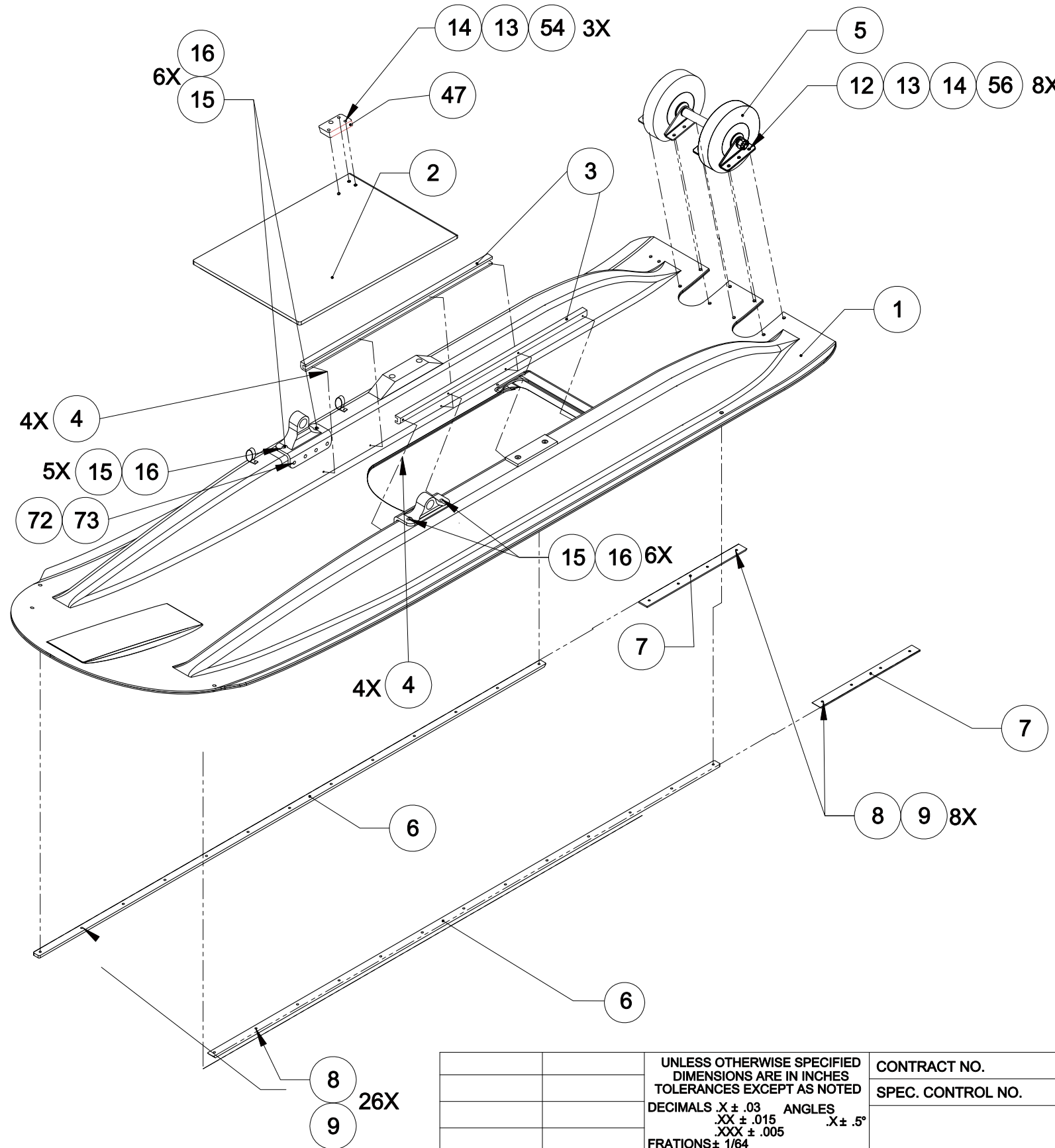
2

1

REVISION BLOCK			
REV	DESCRIPTION	APP'D BY	DATE
A	ADDED FASTENER CALL OUT FOR LH3600-3. SUBSTITUTED ONE AN25-12 FOR AN5-7A.	CDB	11/15/2012

NOTES: UNLESS OTHERWISE SPECIFIED

1. NO PERMISSIBLE ALTERNATIVE CONSTRUCTION



		UNLESS OTHERWISE SPECIFIED DIMENSIONS ARE IN INCHES TOLERANCES EXCEPT AS NOTED DECIMALS .X ± .03 ANGLES .XX ± .015 .X ± .5° .XXX ± .005 FRATIONS ± 1/64	CONTRACT NO.	Airglas, Inc. Anchorage, Alaska	
			SPEC. CONTROL NO.		
		THIS DRAWING OR DOCUMENT INCLUDES INFORMATION PROPRIETARY TO AIRGLAS Inc. AND IS SUBMITTED FOR EVALUATION ONLY AND SHALL NOT BE USED TO MANUFACTURE OR REPRODUCE WITHOUT PERMISSION OF AIRGLAS Inc.	Approved by : CED		LEFT SKI ASSY
			Checked by : CED		
NEXT ASSY.	USED ON		Drawn by : JDH		
APPLICATION			Date : 23 MAR 2011	Size A	Code Ident.No. 17564
				LH3600A-1	
				Rev A	
				Scale: Do Not Scale	
				Sheet 2 OF 5	

4

3

2

1