

4

3

2

1

D

D

C

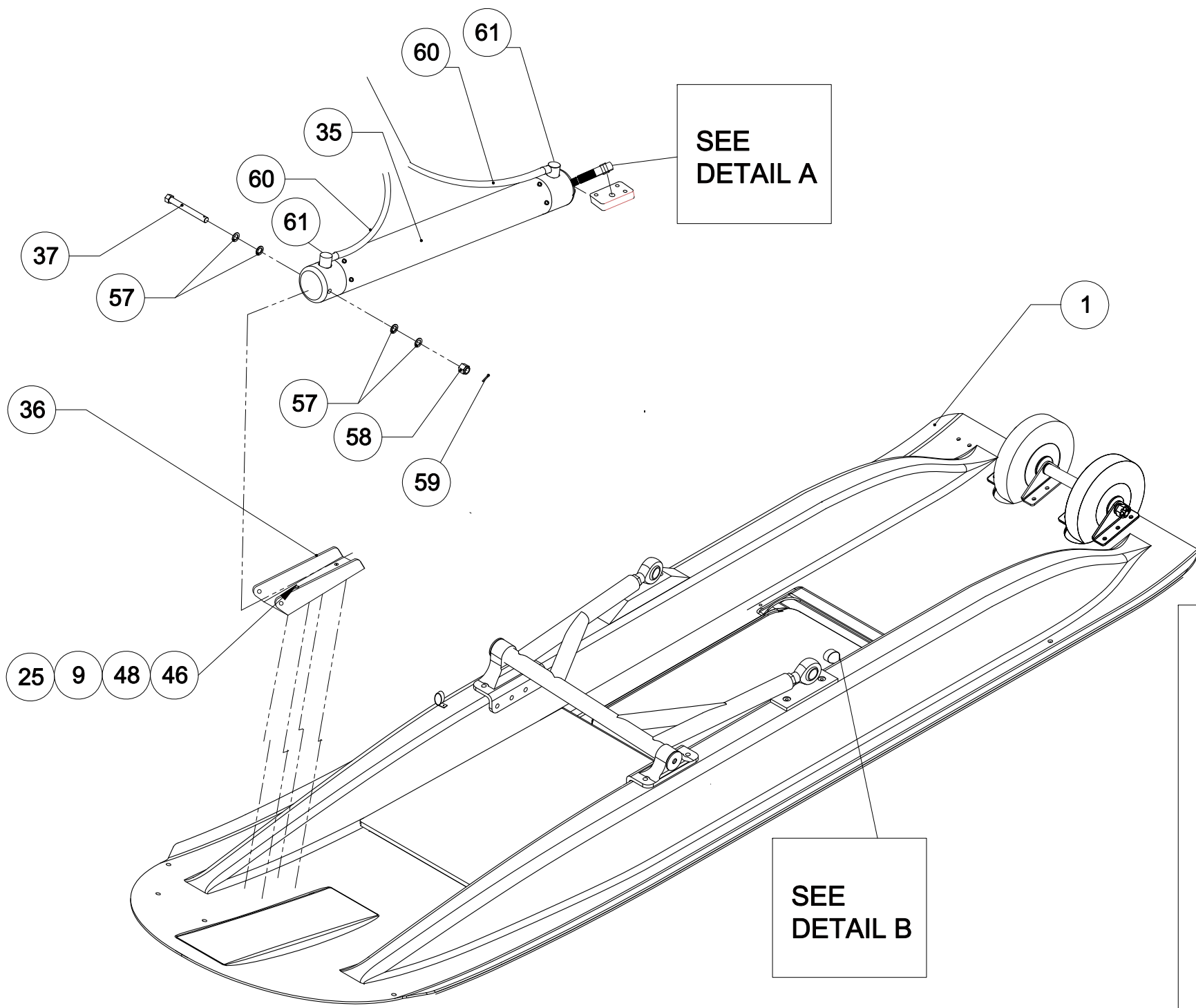
C

B

B

A

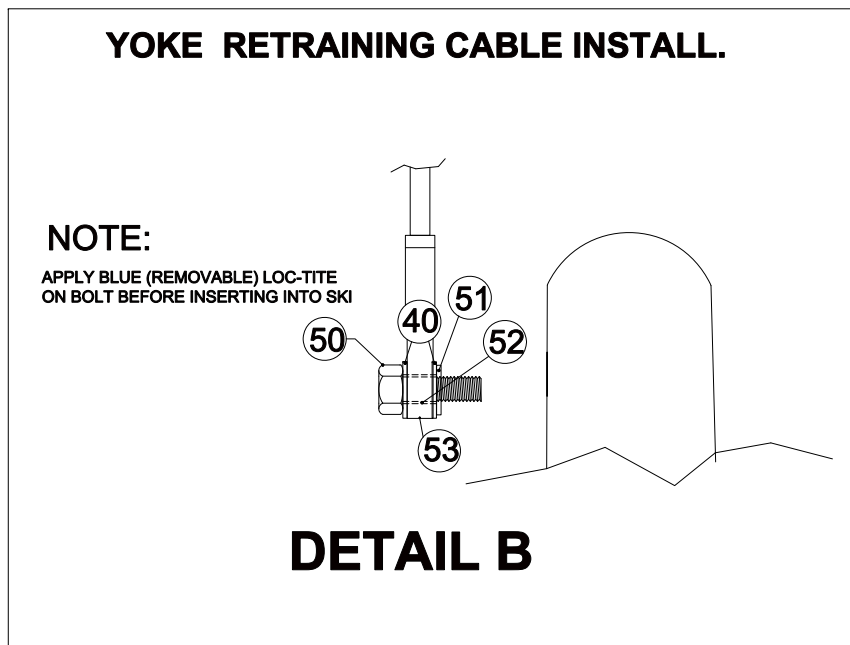
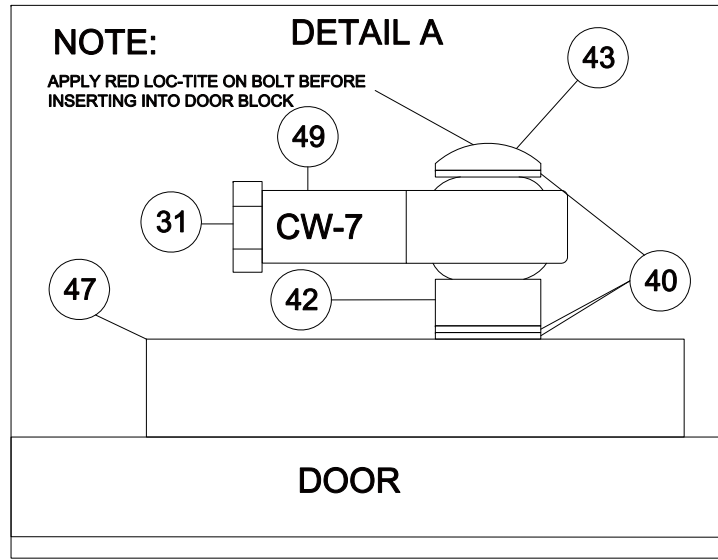
A



SEE
DETAIL A

SEE
DETAIL B

NOTES: UNLESS OTHERWISE SPECIFIED
1. NO PERMISSIBLE ALTERNATIVE CONSTRUCTION



		UNLESS OTHERWISE SPECIFIED DIMENSIONS ARE IN INCHES TOLERANCES EXCEPT AS NOTED	CONTRACT NO.	Airglas, Inc. Anchorage, Alaska		
		DECIMALS .X ± .03 ANGLES .XX ± .015 .X ± .5° .XXX ± .005 FRATIONS ± 1/64	SPEC. CONTROL NO.			
		THIS DRAWING OR DOCUMENT INCLUDES INFORMATION PROPRIETARY TO AIRGLAS Inc. AND IS SUBMITTED FOR EVALUATION ONLY AND SHALL NOT BE USED TO MANUFACTURE OR REPRODUCE WITHOUT PERMISSION OF AIRGLAS Inc.	Approved by : WKL	LEFT SKI ASSY		
NEXT ASSY.	USED ON		Checked by : GL			
APPLICATION			Drawn by : PCSI	Size A	Code Ident.No. 17564	Rev -
			Date : 23 MAR 2011	Scale DO NOT SCALE	Sheet 4 OF 5	

4

3

2

1